



LUX MIANOO



www.Luxmianoo.com







STUDIO Lux Miiانو

With a trajectory marked with products for high-end decoration, Studio Lux Miiانو has in its repertoire sofas, armchairs, ottomans and contemporary beds and a design of excellence that combines comfort and trends to create products that are true dreams of consumption and innovation and design icons.



It has self-education and passion for design in its DNA. Studied Interior Design and works in the development of projects in the most diverse areas. Always with a look in tune with the best in national and international design and arts. He believes that a good project cannot lack an interactive relationship with the client, full of affection, humor and observation.



Graduated in Design from Mackenzi University, Pedro is one of the most renowned designers in Brazil. In the constant search for comfort combined with aesthetics, the designer has timeless traits and signs many of our products with dexterity.

DESIGNERS



Product designers work with the creation of furniture, decorative objects and exhibition spaces. The profile of their projects is marked by formal exploration and manufacturing viability, according to the potential of each company they work for.



Product designer graduated from UFPR. Pieces aimed at the high decoration market, which are manufactured within standards of excellence and fidelity to the project. Consumption dreams and innovation and design icons.



Strong name in the national furniture industry, where it has been an exponent for over 25 years. Flexible design and industrial fluidity characterize his work. Sérgio works exclusively in retail design, where he is known for his refined feeling and for creating contemporary and sophisticated products.





S O F A S





MEMORY



DESCRIPTION OF PRODUCT

SEAT: RETRACTABLE - D33 + HR + ULTRACEL + FIBER

BACKREST: FIXED - D20 SOFT + HR + FIBER

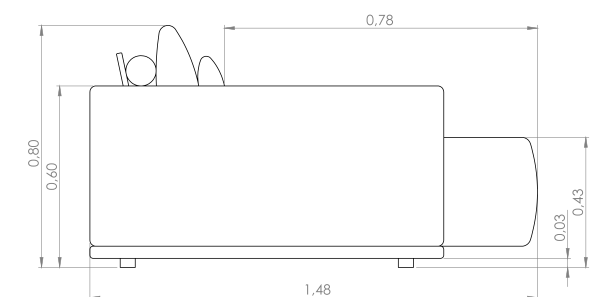
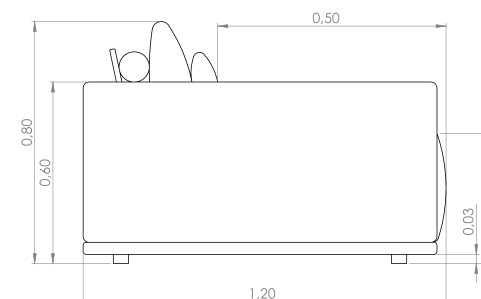
THIN BACKREST: FIXED - D20 SOFT

BACKREST CUSHION WITH ROLL CUSHION: LOOSE - HR + FIBER

LUMBAR CUSHION: LOOSE - FIBER

OPTIONAL: ELECTRIC OR MANUAL SEAT. USB IN THE ARMREST.

NOTES: MAXIMUM LENGTH OF 1.30M FOR THE SEAT IN SPECIAL MEASURES



SPACE



DESCRIPTION OF PRODUCT

SEAT: FIXED – ELASTIC BELT + D33 + HR + D26 ULTRACEL + FIBER.

BACKREST: FIXED - D20 SOFT + D23 HYPER + FIBER.

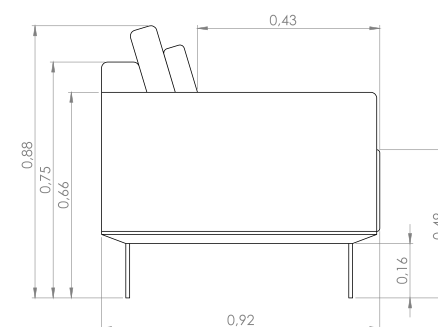
BACKREST CUSHION: LOOSE - D23 HYPER + D26 ULTRACEL + COTTON + FIBER.

DECORATIVE CUSHION: LOOSE - D26 ULTRACEL + COTTON + FIBER.

ROLL CUSHION: LOOSE - D33 + FIBER

NOTE: THE LUMBAR CUSHION IS 10CM SMALLER THAN THE BACKREST CUSHION.

OPTIONAL: BIG CUSHION (SEAT SIZE) OR MEDIUM CUSHION (10CM LARGER THAN THE STANDARD CUSHION).



COSTUME



DESCRIPTION OF PRODUCT

SEAT: FIXED - HR + D33 + ULTRACEL + FIBER

BACKREST: FIXED - D20 SOFT + D33 + HR + FIBER

LOOSE BACKREST: LOOSE - D33 + FIBER

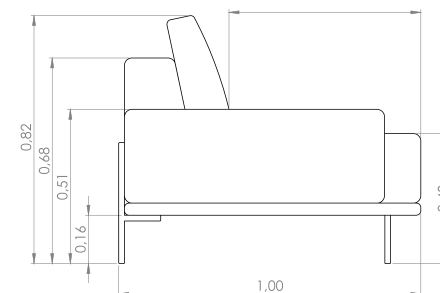
BACKREST CUSHION: LOOSE - FIBER

TABLE: NATURAL VENEER - NATURAL OAK, EBANIZED OAK, OAK LINEN OR WALNUT

FOOT: ELECTROSTATIC PAINTING - LEAD, BROWN OR BLACK.

OPTIONAL: USB CHARGER ON THE ARMREST

NOTE A PART OF THE TABLE IS OVERLAPPED TO THE SEAT, ONLY 12CM EXCEED THE WIDTH OF THE SEAT.



MOROSO



DESCRIPTION OF PRODUCT

SEAT: RETRACTABLE – ELASTIC BELT + HR + D33 + ULTRACEL + FIBER.

BACKREST: RECLINABLE - HR + ULTRACEL + FIBER.

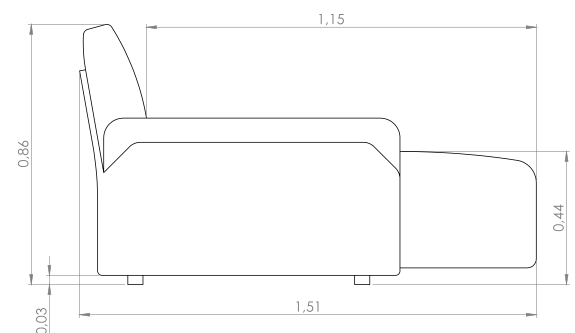
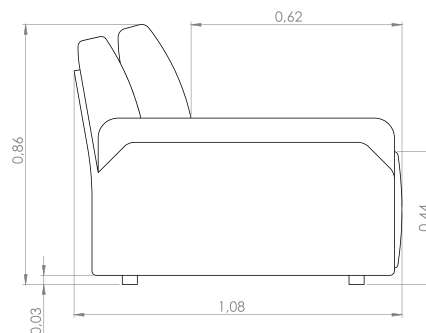
BACKREST CUSHION: LOOSE - SILICONIZED FIBER + FIBER.

TABLE: ELECTROSTATIC PAINTING - LEAD, BROWN OR BLACK.

FOOT: IMBUIA.

OPTIONAL: TABLE. ELECTRIC OR MANUAL SEAT/BACKREST .

NOTES: MAXIMUM LENGTH OF 1.30M FOR THE SEAT IN SPECIAL MEASURES.



SENSATION



DESCRIPTION OF PRODUCT

SEAT: BACKREST: FIXED - HR + D20 SOFT + FIBER

THIN BACKREST: FIXED - D20 SOFT

LUMBAR CUSHION: LOOSE - FIBER

DECORATIVE CUSHION: LOOSE - FIBER

TABLE: COATED: LEATHER OR FABRIC

FOOT: ELECTROSTATIC PAINTING - LEAD, BROWN OR BLACK.

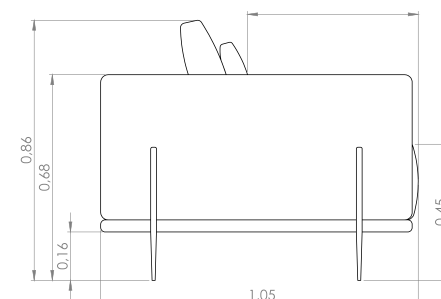
OPTIONAL: USB CHARGER ON THE ARMREST

NOTES: CURVED MODULE: DUE TO ITS CURVATURE, THE SEAT WIDTH WILL BE SMALLER THAN THE MODULE'S TOTAL WIDTH.

NOT AVAILABLE IN SPECIAL MEASURES.

NOT AVAILABLE IN LEATHER.

SIDE FOOT ADDS 2CM TO THE OVERALL WIDTH OF EACH STRAIGHT MODULE.



FRAGMENTO



DESCRIPTION OF PRODUCT

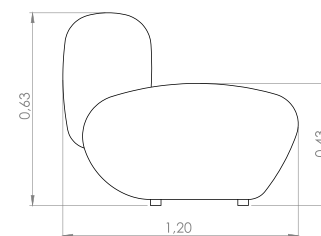
SEAT: FIXED - HR + ULTRACEL + FIBER

BACKREST: FIXED - HR + ULTRACEL + D20 SOFT + FIBER

NOTES: CONFIGURATION WITH 1 SMALLER SEAT WITH NO ARMREST AND PUFF CONFIGURATION: NOT AVAILABLE IN SPECIAL MEASURES.

CONFIGURATIONS WITH 1 LARGER SEAT AND NO ARM: AVAILABLE IN SPECIAL MEASURES, IT WILL BE APPLIED TO THE PIECE WITH BACKREST.

PRODUCT UNAVAILABLE IN LEATHERETTE.



HIATO



DESCRIPTION OF PRODUCT

SEAT: FIXED - HR + D33 + ULTRACEL + FIBER

BACKREST: FIXED - HR + FIBER

THIN BACKREST: FIXED - D20 SOFT

BACKREST CUSHION: LOOSE - FIBER

DECORATIVE CUSHION: LOOSE - FIBER

ROLL CUSHION: FIXED - HR + FIBER

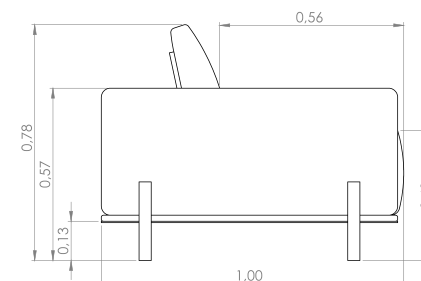
ROLL CUSHION HANDLE: ELECTROSTATIC PAINT - LEAD, BROWN OR BLACK.

BASE: ELECTROSTATIC PAINTING - LEAD, BROWN OR BLACK.

FEET: ELECTROSTATIC PAINT - LEAD, BROWN OR BLACK.

OPTIONAL: USB CHARGER IN THE ARMREST. ROLL CUSHION.

NOTES: THE CHAISE CONFIGURATIONS WILL HAVE AN ADDITIONAL SEAM ON THE TOP OF THE SEAT, DUE TO THE DIMENSIONS OF THE FABRIC.



CAPITOLIO



DESCRIPTION OF PRODUCT

SEAT: FIXED - D33 + D26 ULTRACEL + FIBER.

BACKREST: FIXED - D33 + FIBER.

BACKREST CUSHION: LOOSE - GOOSE FEATHER.

LUMBAR CUSHION: LOOSE - GOOSE FEATHER.

DECORATIVE CUSHION: LOOSE - GOOSE FEATHER.

FOOT/BASE: ELECTROSTATIC PAINT – LEAD, BROWN OR BLACK.

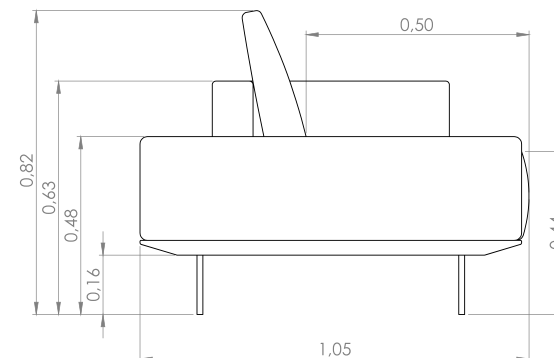
LOOSE BACKREST: COATED

TABLE: NATURAL VENEER - NATURAL OAK, EBANIZED OAK, OAK LINEN OR WALNUT.

OPTIONAL: USB CHARGER IN THE ARMREST (25) (POWER CORD TO STANDARD BRAZIL OR US OUTLET).

NOTE: THE TABLE IS 38CM WIDTH, HOWEVER, APPLIED TO THE PRODUCT IT TAKES UP A SPACE OF 28CM IN THE FINAL CONFIGURATION.

THE LOOSE BACKREST CANNOT BE COVERED IN LEATHER.



CIPO



DESCRIPTION OF PRODUCT

SEAT: FIXED - HR + D33 + SPRING + D26 ULTRACEL + FIBER.

BACKREST: FIXED - HR + D20 SOFT + FIBER.

BACKREST CUSHION: LOOSE - GOOSE FEATHER.

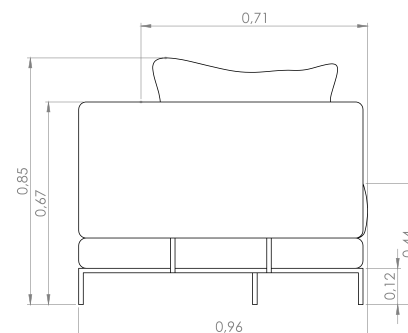
DECORATIVE CUSHION: LOOSE - D20 SOFT + D26 ULTRACEL + FIBER.

BASE: ELECTROSTATIC PAINTING – LEAD, BROWN OR BLACK.

TABLE: NATURAL VENEER - NATURAL OAK, EBANIZED OAK, OAK LINEN OR WALNUT

NOTE: THE TABLE IS 22CM WIDTH, HOWEVER, APPLIED TO THE PRODUCT IT TAKES UP A 10CM SPACE IN THE FINAL CONFIGURATION.

THE PRODUCT SHOULD BE COMPOSED OF A SET OF TWO MODULES.



PARACATU



DESCRIPTION OF PRODUCT

SEAT: FIXED – ELASTIC BELT + HR + D33 + D26 ULTRACEL + FIBER.

BACKREST: FIXED - D20 SOFT + FIBER.

THIN BACKREST: FIXED - HR.

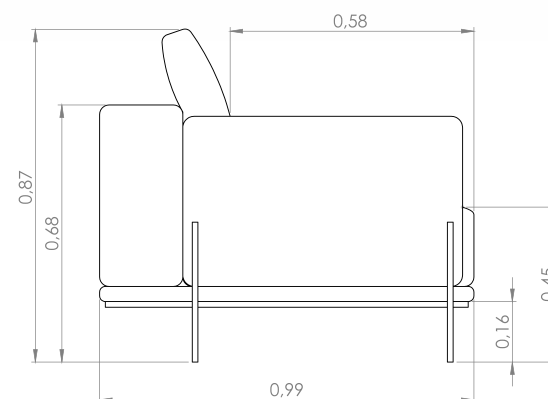
BACKREST CUSHION: LOOSE - GOOSE FEATHER

DECORATIVE CUSHION: LOOSE - GOOSE FEATHER.

ROLL CUSHION: LOOSE - HR + FIBER.

FOOT: ELECTROSTATIC PAINTING – LEAD, BROWN OR BLACK.

NOTE: THIN BACKREST COVERING UNAVAILABLE IN LEATHER.



UNAI



DESCRIPTION OF PRODUCT

SEAT: FIXED – ELASTIC BELT + D33 + HR + D26 ULTRACEL + FIBER.

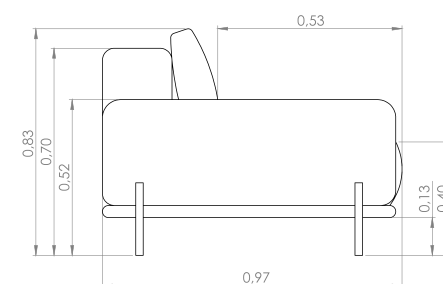
BACKREST CUSHION: LOOSE - GOOSE FEATHER.

BACKREST: FIXED - D20 SOFT + FIBER.

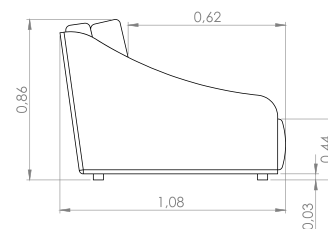
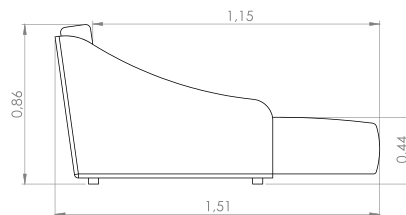
FOOT: ELECTROSTATIC PAINTING – LEAD, BROWN OR BLACK.

OPTIONAL: USB CHARGER ON THE ARMREST (POWER CORD TO STANDARD BRAZIL OR US OUTLET).

NOTE: THE SPLIT OPTIONS MUST BE COMPOSED OF A SET OF TWO MODULES.



CONDADO



DESCRIPTION OF PRODUCT

SEAT: RETRACTILE – ELASTIC BELT + HR + D33 + D26 ULTRACEL + FIBER.

BACKREST: RECLINING - HR + D26 ULTRACEL + FIBER.

BACKREST CUSHION: LOOSE - SILICONIZED FIBER + FIBER.

FOOT: IMBUIA.

OPTIONAL: USB CHARGER IN THE ARMREST (33) (POWER CORD TO STANDARD BRAZIL OR US OUTLET). ELECTRIC OR MANUAL SEAT/BACKREST. MAXIMUM LIMIT OF 1.30M FOR THE SEAT IN SPECIAL MEASURES.

BORA



DESCRIPTION OF PRODUCT

SEAT: FIXED – ELASTIC BELT + HR + D26 ULTRACEL + FIBER.

BACKREST: FIXED - D20 SOFT + FIBER.

BACKREST CUSHION: LOOSE - GOOSE FEATHER.

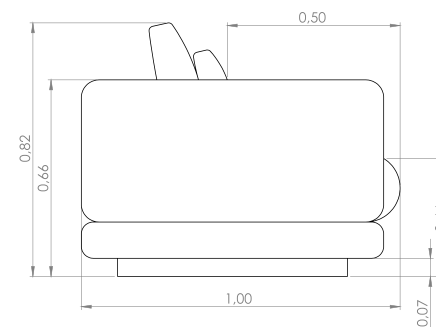
DECORATIVE CUSHION: LOOSE - GOOSE FEATHER.

FOOT: ELECTROSTATIC PAINTING – LEAD, BROWN OR BLACK.

OPTIONAL: USB CHARGER IN THE ARMREST (30) (POWER CORD TO STANDARD BRAZIL OR US OUTLET).

NOTE: IN THE BIPARTITE MODULES FORMING A SET, A BACKREST CUSHION (65X50) IS INCLUDED, IN ADDITION TO THOSE DESCRIBED IN THE CONFIGURATIONS.

THE SPLIT OPTIONS MUST BE COMPOSED OF A SET OF TWO MODULES.



AROEIRA



DESCRIPTION OF PRODUCT

SEAT: FIXED – ELASTIC BELT + HR + D33 + D26 ULTRACEL + FIBER.

BACKREST: FIXED - D20 SOFT + FIBER.

BACKREST CUSHION: LOOSE - COTTON + D26 ULTRACEL + FIBER.

LUMBAR CUSHION: LOOSE - COTTON + D26 ULTRACEL + FIBER.

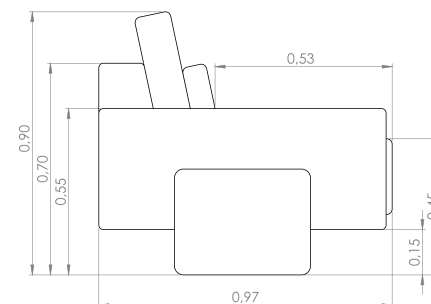
ROLL CUSHION: LOOSE - D33 + FIBER.

FOOT: NATURAL VENEER - NATURAL OAK, EBANIZED OAK, OAK LINEN OR WALNUT. ELECTROSTATIC PAINT – LEAD, BROWN OR BLACK.

TABLE: NATURAL VENEER - NATURAL OAK, EBONY OAK, LINEN OAK OR WALNUT. ELECTROSTATIC PAINT – LEAD, BROWN OR BLACK.

OPTIONAL: USB CHARGER IN THE ARMREST (POWER CORD TO STANDARD BRAZIL OR US OUTLET).

NOTE: THE EDGES OF THE FEET AND THE INTERNAL PART OF THE TABLE ARE PAINTED. THE PRODUCT MUST BE COMPOSED OF A SET OF TWO MODULES.



ABIU



DESCRIPTION OF PRODUCT

SEAT: LOOSE - HR + POCKET SPRING + D26 ULTRACEL + FIBER.

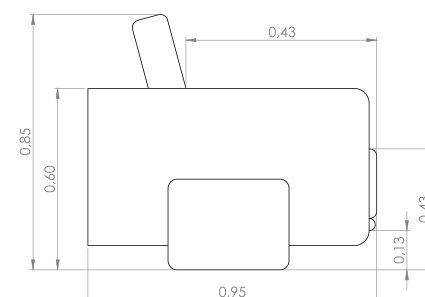
BACKREST: FIXED - HR + D20 SOFT + FIBER.

BACKREST CUSHION: LOOSE - GOOSE FEATHER.

FOOT: ELECTROSTATIC PAINTING – LEAD, BROWN OR BLACK.

NOTE: THE CONFIGURATIONS WITH 3 SEATS ARE SPLIT.

THE PRODUCT MUST BE COMPOSED OF A SET OF TWO MODULES (EXCEPT WHEN AN ARMCHAIR). THE CENTRAL FOOT CONNECTS THE MODULES.



STEEL



DESCRIPTION OF PRODUCT

SEAT: FIXED - ELASTIC BELT + HR + D33 + D26 ULTRACEL + FIBER.

BACKREST: FIXED - D33 + D20 SOFT + FIBER.

BACKREST CUSHION: LOOSE - GOOSE FEATHER.

DECORATIVE CUSHION: LOOSE - GOOSE FEATHER.

BASE: ELECTROSTATIC PAINTING - LEAD, BROWN OR BLACK.

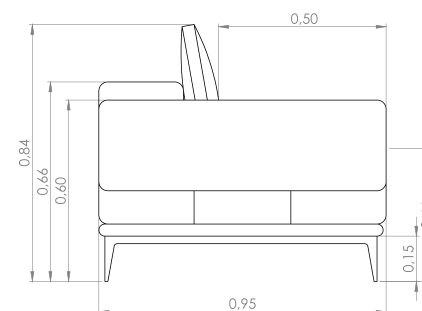
TABLE: NATURAL VENEER - NATURAL OAK, EBONIZED OAK, OAK LINEN OR WALNUT.

ARM AND TABLE STRUCTURE: ELECTROSTATIC PAINTING - LEAD, BROWN OR BLACK.

NOTE: THE MEASURE OF THE UPPER TABLE DOES NOT IMPLY THE TOTAL MEASURE OF THE PRODUCT.

THE LOWER TABLE IS 39CM WIDE, HOWEVER, APPLIED TO THE PRODUCT IT OCCUPIES A SPACE OF 56CM IN THE FINAL CONFIGURATION.

PRODUCT UNAVAILABLE IN LEATHER.



FLOAT



THE SIZES OF THE PILLOWS IN THE IMAGE DO NOT CORRESPOND TO THE STANDARD MEASUREMENTS OF THE PRODUCT. ACTUAL DIMENSIONS CAN BE CHECKED IN THE CONFIGURATION LIST.



DESCRIPTION OF PRODUCT

SEAT: FIXED - ELASTIC BELT + HR + D33 + D26 ULTRACEL + FIBER.

BACKREST: FIXED - HR + D20 SOFT + D26 ULTRACEL + FIBER.

BACKREST CUSHION: LOOSE - COTTON + D26 ULTRACEL + FIBER.

DECORATIVE CUSHION: LOOSE - COTTON + D26 ULTRACEL + FIBER.

LUMBAR CUSHION: LOOSE - COTTON + D26 ULTRACEL + FIBER.

BASE: ELECTROSTATIC PAINTING - LEAD, BROWN OR BLACK.

TABLE: NATURAL VENEER - NATURAL OAK, EBANIZED OAK, OAK LINEN OR WALNUT.

DYEING - NATURAL DYED, EBANIZED, LINEN, WALNUT OR IMBUIA.

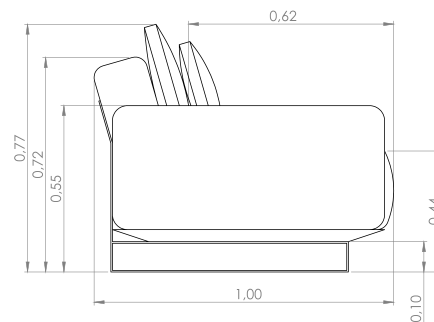
INVOLVING STRUCTURE: NATURAL VENEER - NATURAL

OAK, EBANIZED OAK, OAK LINEN OR WALNUT.

DYEING - NATURAL DYED, EBANIZED, LINEN, WALNUT, WALNUT, OR IMBUIA.

OPTIONAL: USB CHARGER IN THE ARMREST (POWER CORD TO STANDARD BRAZIL OR US OUTLET).

NOTE: THE TABLE CONTAINS 30CM WIDTH, HOWEVER, APPLIED TO THE PRODUCT IT OCCUPIES A SPACE OF 20CM IN THE FINAL CONFIGURATION.



SIRIUS



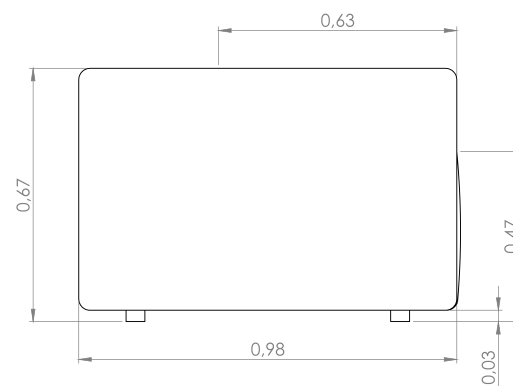
DESCRIPTION OF PRODUCT

SEAT: FIXED - ZIG ZAG SPRING + D45 VISCO GEL + HR + D20 SOFT + FIBER

BACKREST: FIXED - D45 VISCO GEL + HR + D33 + D20 SOFT + FIBER

FOOT/BASE: IMBUIA.

OPTIONAL: USB CHARGER IN THE ARMREST (POWER CORD TO STANDARD BRAZIL OR US OUTLET).



VERSA



DESCRIPTION OF PRODUCT

INVOLVING STRUCTURE: FIXED – ELASTIC BELT + D20 SOFT.

SEAT: LOOSE - HR + D26 ULTRACEL + FIBER.

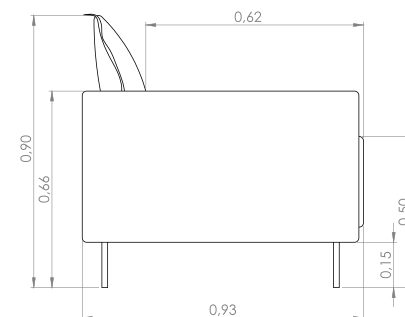
BACKREST: FIXED - D20 SOFT.

BACKREST CUSHION: LOOSE - D26 ULTRACEL + D20 SOFT + FIBER.

ARM CUSHION: LOOSE - D26 ULTRACEL + D20 SOFT + FIBER.

FOOT: ELECTROSTATIC PAINTING - BROWN, LEAD, OR BLACK.

DETAILS: ZIPPER - BEIGE, GRAY, LEAD OR BLACK



ASPEN



DESCRIPTION OF PRODUCT

SEAT: FIXED – ELASTIC BELT + HR + D26 ULTRACEL + FIBER.

BACKREST: FIXED - D20 SOFT.

BACKREST CUSHION: LOOSE - D23 HYPER + D26 ULTRACEL + FIBER.

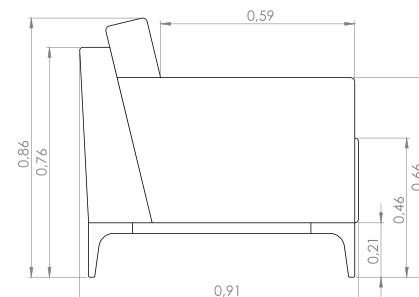
BASE: NATURAL VENEER - NATURAL OAK, EBONIZED OAK, OAK LINEN OR WALNUT.

TABLE: NATURAL VENEER - NATURAL OAK, EBONY OAK, LINEN OAK OR WALNUT.

FOOT: ELECTROSTATIC PAINT - BROWN, LEAD, OR BLACK. POLISHING - ALUMINUM.

OPTIONAL: USB CHARGER IN THE ARMREST (POWER CORD TO STANDARD BRAZIL OR US OUTLET).

REMARKS: THE CHAISE CONFIGURATIONS WILL HAVE AN ADDITIONAL SEAM ON THE TOP OF THE SEAT, DUE TO THE DIMENSIONS OF THE FABRIC.



STONE



DESCRIPTION OF PRODUCT

SEAT: FIXED – ELASTIC BELT + HR + D26 ULTRACEL + D20 SOFT + FIBER.

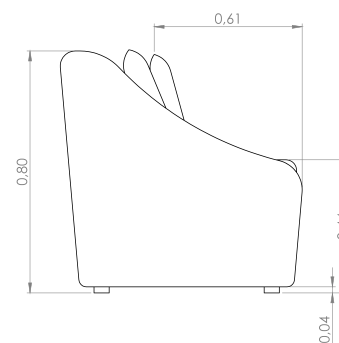
BACKREST: FIXED - D33 + D20 SOFT + FIBER.

DECORATIVE CUSHION: LOOSE - SILICONED FIBER.

FOOT: IMBUIA.

NOTE: PRODUCT UNAVAILABLE IN LEATHER AND SYNTHETIC LEATHER.

THE TOTAL DEPTH OF THE PRODUCT VARIES WITH EACH CONFIGURATION.



MOON



DESCRIPTION OF PRODUCT

SEAT: FIXED – ELASTIC BELT + D33 + D26 ULTRACEL + D20 SOFT + FIBER.

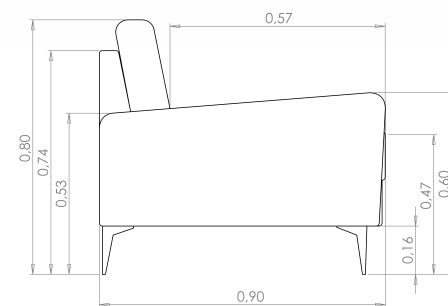
BACKREST: FIXED - D20 SOFT.

BACKREST CUSHION: LOOSE - D26 ULTRACEL + D23 HYPER + D20 SOFT.

FOOT: ELECTROSTATIC PAINTING – LEAD, BROWN OR BLACK.

POLISHED - ALUMINUM.

NOTE: PRODUCT NOT AVAILABLE IN LEATHER.



MOBE



DESCRIPTION OF PRODUCT

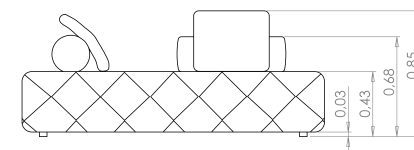
SEAT: FIXED – ELASTIC BELT + D33 + FIBER.

BACKREST ROLL CUSHION: LOOSE - D33 + FIBER.

BACKREST CUSHION: LOOSE - D26 ULTRACEL + COTTON + FIBER.

FOOT: IMBUJIA.

NOTE: PRODUCT UNAVAILABLE IN LEATHER IN SMOOTH PUFF CONFIGURATIONS.



CLUB



DESCRIPTION OF PRODUCT

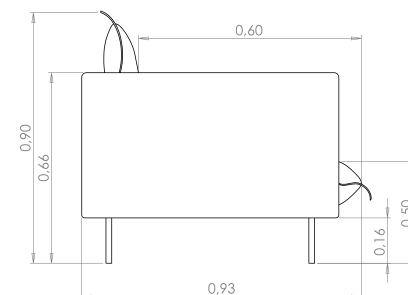
SEAT: LOOSE – ELASTIC BELT + HR + D26 ULTRACEL + FIBER.

BACKREST: FIXED – D20 SOFT

BACKREST CUSHION: LOOSE – D26 ULTRACEL + D20 SOFT + FIBER

FOOT: ELECTROSTATIC PAINTING - LEAD, BROWN OR BLACK.

NOTE: SEAT CUSHIONS DO NOT HAVE ZIPPER



HOME



DESCRIPTION OF PRODUCT

SEAT: FIXED - SPRING + D26 ULTRACEL + HR + D20 SOFT + FIBER.

BACKREST: FIXED - D20 SOFT.

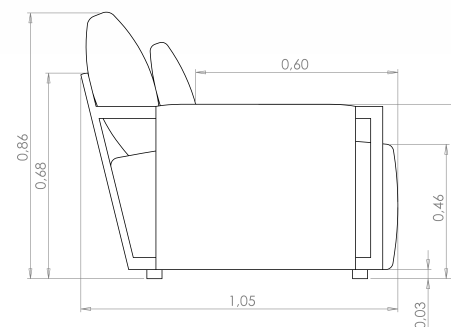
BACKREST CUSHION: LOOSE - SILICONIZED FIBER + FIBER.

LUMBAR CUSHION: LOOSE - SILICONIZED FIBER + FIBER.

ARM/BACK STRUCTURE: ELECTROSTATIC PAINTING – LEAD, BROWN OR BLACK.

FOOT: IMBUIA.

NOTE: SPECIAL PIECES ARE LIMITED TO A MAXIMUM WIDTH OF 1.30M



DROP



DESCRIPTION OF PRODUCT

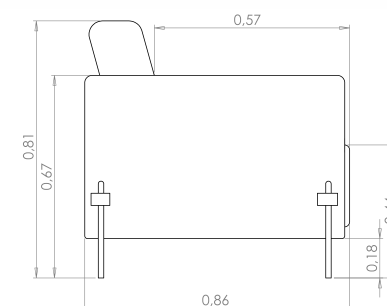
SEAT: FIXED – SPRING + D33 + D26 ULTRACEL + FIBER.

BACKREST: FIXED – ELASTIC BELT + D33.

BACKREST CUSHION: LOOSE - D23 HYPER + FIBER.

FOOT: ELECTROSTATIC PAINTING - LEAD, BROWN OR BLACK.

OBSERVATIONS: SPLIT OPTIONS WILL BE SHIPPED WITH THE ENTIRE BASE.



TREND



DESCRIPTION OF PRODUCT

SEAT: FIXED – ELASTIC BELT + D26 ULTRACEL + HR + D33 + FIBER.

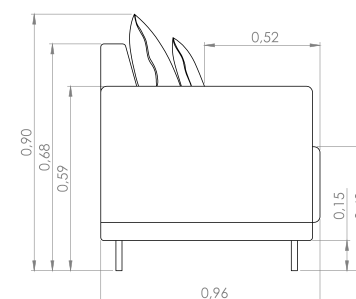
BACKREST: FIXED -D33 + D20 SOFT + FIBER.

BACKREST CUSHION: LOOSE - SILICONED FIBER.

DECORATIVE CUSHION: LOOSE - SILICONED FIBER.

FOOT: ELECTROSTATIC PAINTING – LEAD, BROWN OR BLACK.

OPTIONAL: USB CHARGER IN THE ARMREST (POWER CORD TO STANDARD BRAZIL OR US OUTLET).



ZURIQUE



DESCRIPTION OF PRODUCT

SEAT: FIXED – ELASTIC BELT + D33 + D20 SOFT + FIBER.

BACKREST: FIXED – ELASTIC BELT + D20 SOFT.

BACKREST CUSHION: LOOSE - D23 HYPER + FIBER.

FOOT: BLACK.

TABLE: NATURAL VENEER - NATURAL OAK, EBONIZED OAK, OAK LINEN OR WALNUT.

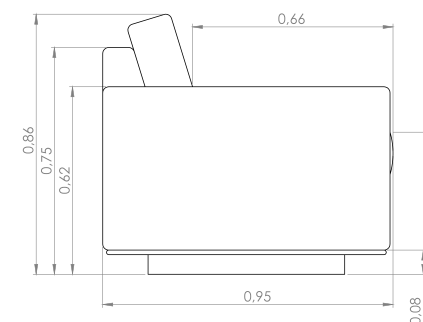
LACQUER PAINT - WHITE, BLACK, FENDI OR NUDE.

PROFILE: POLISHED - ALUMINUM.

OPTIONAL: USB CHARGER IN THE ARMREST (POWER CORD TO STANDARD BRAZIL OR US OUTLET).

NOTE: BACKREST CUSHIONS ARE FIXED WHEN COVERED IN LEATHER.

THE ALUMINUM PROFILE WILL NOT BE AVAILABLE WHEN THE SOFA IS COVERED IN LEATHER



BRANDON



DESCRIPTION OF PRODUCT

SEAT: LOOSE - ELASTIC BELT + HR + D26 ULTRACEL + FIBER.

BACKREST: FIXED - D20 SOFT + D33 + FIBER.

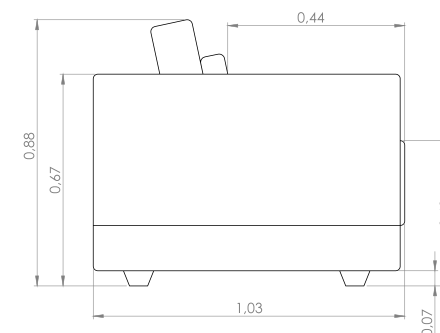
BACKREST CUSHION: LOOSE - D23 HYPER + D26 ULTRACEL + FIBER.

LUMBAR CUSHION: LOOSE - D26 ULTRACEL + FELT + FIBER.

FOOT: IMBUJA.

TABLE: NATURAL VENEER - NATURAL OAK, EBANIZED OAK, OAK LINEN OR WALNUT. ELECTROSTATIC PAINT - LEAD, BROWN OR BLACK

OPTIONAL: USB CHARGER ON THE ARMREST (POWER CORD TO STANDARD BRAZIL OR US OUTLET).



SPLENDIDO



DESCRIPTION OF PRODUCT

SEAT: FIXED - SPRING + ELASTIC BELT + D33 + D26 ULTRACEL + HR + FIBER.

BACKREST: FIXED - D23 HYPER + D20 SOFT + FIBER.

BACKREST CUSHION: LOOSE - D23 HYPER + D26 ULTRACEL + FIBER.

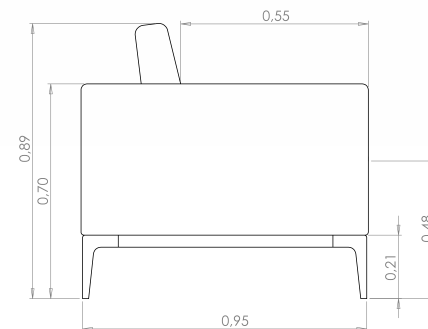
FOOT: ELECTROSTATIC PAINTING – LEAD, BROWN OR BLACK.

POLISHED - ALUMINUM.

BASE: NATURAL VENEER - NATURAL OAK, EBANIZED OAK, OAK LINEN OR WALNUT.

OPTIONAL: USB CHARGER ON THE ARMREST (POWER CORD TO STANDARD BRAZIL OR US OUTLET).

NOTES: ON CHAISE CONFIGURATIONS THERE WILL BE AN ADDITIONAL SEWING ON THE SEAT DUE TO THE WIDTH OF THE FABRIC.



CARIBE



DESCRIPTION OF PRODUCT

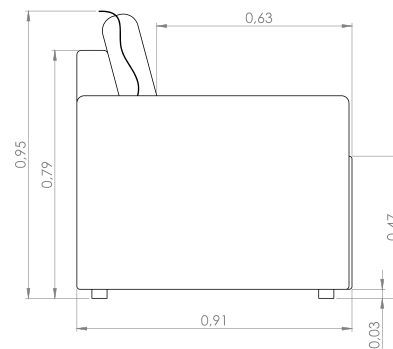
SEAT: FIXED – SPRING + HR + D26 ULTRACEL + D20 SOFT + FIBER.

BACKREST: FIXED - D20 SOFT + FIBER.

BACKREST CUSHION: LOOSE – SILICON FIBER

FOOT: IMBUIA

NOTE: PRODUCT NOT AVAILABLE IN LEATHER



ASTER



DESCRIPTION OF PRODUCT

SEAT: FIXED - HR + D26 ULTRACEL + FIBER.

BACKREST: FIXED - D20 SOFT + D33.

BACKREST CUSHION: LOOSE - D23 HYPER + D26 ULTRACEL + FIBER.

LUMBAR CUSHION: LOOSE - D23 HYPER + D26 ULTRACEL + FIBER.

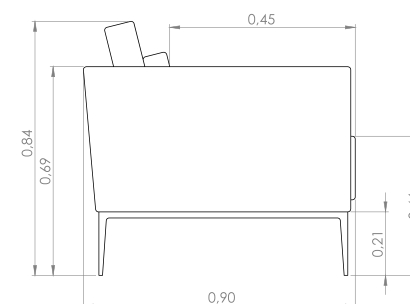
BACKREST CUSHION: FIXED - D33 + FIBER.

ARMREST: FIXED - D33 + FIBER.

BASE: ELECTROSTATIC PAINTING - LEAD, BROWN OR BLACK.

ARM HANDLE: ELECTROSTATIC PAINTING - LEAD, BROWN OR BLACK.

THE SIZES OF THE PILLOWS IN THE IMAGE DO NOT CORRESPOND TO THE STANDARD MEASUREMENTS OF THE PRODUCT. ACTUAL DIMENSIONS CAN BE CHECKED IN THE CONFIGURATION LIST.



MILOS



DESCRIPTION OF PRODUCT

SEAT: FIXED - ELASTIC BELT + D26 ULTRACEL + HR + FIBER.

BACKREST: FIXED - D20 SOFT + D33 + FIBER.

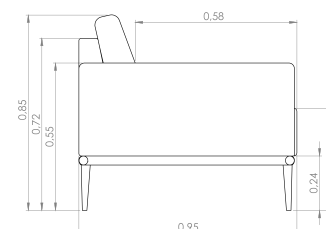
BACKREST CUSHION: LOOSE - D23 HYPER + D26 ULTRACEL + FIBER.

FOOT: ELECTROSTATIC PAINTING - LEAD, BROWN OR BLACK.
POLISHED - ALUMINUM.

TIPS: ELECTROSTATIC PAINT - LEAD, BROWN OR BLACK.
POLISHED - ALUMINUM.

SEWING THREAD: WHITE (01), GREEN (02), CAMEL (03), BROWN (04),
BLACK (05), SAND (06) OR GRAY (07).

OPTIONAL: USB CHARGER IN THE ARMREST (POWER CORD TO STANDARD
BRAZIL OR US OUTLET).



BLEND



DESCRIPTION OF PRODUCT

SEAT: FIXED - ZIG ZAG SPRING + D33 + HR + D26 ULTRACEL + FIBER. **BACKRES**

FIXED - D23 HYPER + D33 + D20 SOFT + FIBER.

BACKREST CUSHION: LOOSE - D23 HYPER + D26 ULTRACEL + FIBER.

LUMBAR CUSHION: LOOSE - D23 HYPER + D26 ULTRACEL + FIBER.

BASE: ELECTROSTATIC PAINTING - LEAD, BROWN OR BLACK.

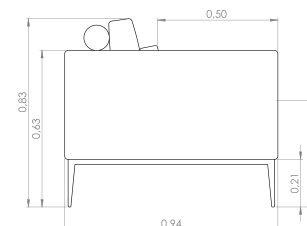
POLISHING - ALUMINUM."

TABLE: NATURAL VENEER - NATURAL OAK, EBANIZED OAK, OAK LINEN OR WALNUT.

OPTIONAL: USB CHARGER IN THE ARMREST (POWER CORD TO STANDARD BRAZIL OR US OUTLET).

NOTES: "CHaise CONFIGURATIONS WILL HAVE AN ADDITIONAL SEAM AT THE TOP OF THE SEAT DUE TO FABRIC DIMENSIONS.

DOUBLE MODULE CONFIGURATIONS ARE JOINED WITH HITCHES, THE CUSHIONS ARE JOINED BY THE ROLL AND THEY ARE PACKAGED IN A SINGLE PACKING."





OPCIONAL
CARREGADOR
USB

BLEND D UPLO

BLOCK



DESCRIPTION OF PRODUCT

SEAT: FIXED – ELASTIC BELT + HR + D33 + D20 SOFT + FIBER.

BACKREST: FIXED - D33 + D20 SOFT + FIBER.

DECORATIVE CUSHION: LOOSE - COTTON + D26 ULTRACEL + FIBER.

ROLL CUSHION: LOOSE - HR + FIBER.

FOOT: IMBUIA.

OPTIONAL: USB CHARGER IN THE ARMREST (POWER CORD TO STANDARD BRAZIL OR US OUTLET).

DEBRUM SEAM.

NOTE: IN ALL PIECES WITH ANGLE, THE MEASURE DESCRIBED REFERS TO THE SPACE IT WILL TAKE IN THE ROOM.

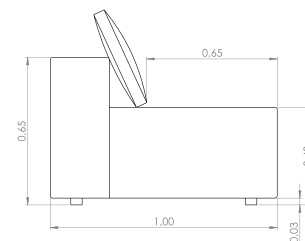
THE MEASURE OF THE SEAT REFERS TO THE FRONT PART OF THE PIECE.

THE CHAISE MODULE HAS A CENTRALIZED SEAM DUE TO THE WIDTH OF THE FABRIC.

IT IS POSSIBLE TO WORK WITH SPECIAL MEASUREMENTS IN WIDTH AND DEPTH. WIDTH CHANGING IS ALWAYS APPLIED TO THE SEAT, BACKREST AND ROLL CUSHIONS DO NOT CHANGE.

WITH THE EXCEPTION OF THE INVERTED SEAT OPTIONS, NO MODULE COMES WITH A FASTENING CLAMP. THE SEAM WITH DEBRUM IS NOT AVAILABLE IN LEATHER AND LEATHER FIBERS, AND IF IT IS IN FABRIC OTHER THAN THE MODULE, THE FABRIC FOOTAGE MUST BE CONSULTED.

PRODUCT UNAVAILABLE IN LEATHER.



SOHO



DESCRIPTION OF PRODUCT

SEAT: LOOSE - SPRING + HR + D26 ULTRACEL + FIBER.

BACKREST: FIXED - ELASTIC BELT + D20 SOFT.

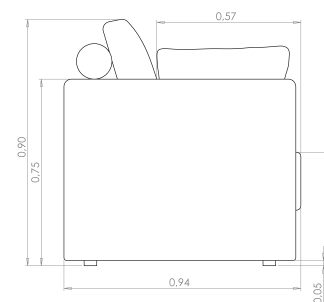
BACKREST CUSHION: LOOSE - D23 HYPER + D26 ULTRACEL + FIBER.

ARMREST CUSHION: LOOSE - COTTON + SILICONIZED FIBER.

BACKREST ROLL CUSHION: LOOSE - D33 + FIBER.

FOOT: BLACK

OPTIONAL: USB CHARGER IN THE ARMREST (POWER CORD TO STANDARD BRAZIL OR US OUTLET).



MALIBU



DESCRIPTION OF PRODUCT

SEAT: FIXED – ELASTIC BELT + D33 + D26 ULTRACEL + FIBER.

BACKREST: FIXED - D20 SOFT + FIBER.

BACKREST CUSHION: LOOSE - SILICONIZED FIBER.

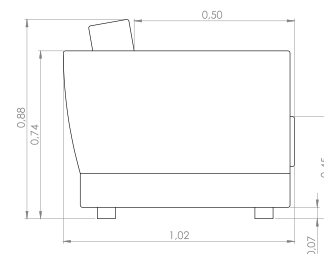
LUMBAR CUSHION: LOOSE - D26 ULTRACEL + COTTON + FIBER.

DECORATIVE CUSHION: LOOSE - SILICONIZED FIBER. **FOOT:** BLACK.

TABLE: NATURAL VENEER - NATURAL OAK, EBANIZED OAK, OAK LINEN OR WALNUT.

ELECTROSTATIC PAINT – LEAD, BROWN OR BLACK.

OPTIONAL: USB CHARGER IN THE ARMREST (23) (POWER CORD TO STANDARD BRAZIL OR US OUTLET).



ALLEGRO



DESCRIPTION OF PRODUCT

ASIENTO: FIJO – CINTURÓN ELÁSTICO + D33 + D20 SUAVE + FIBRA.

RESPALDO: FIJO - D20 SUAVE.

ALMOHADA DE RESPALDO: SUELTA - HR + D26 ULTRACEL + FIBRA.

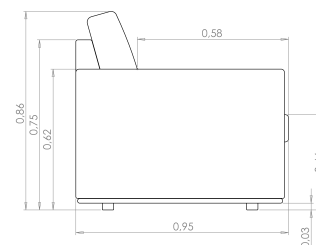
PIE: NEGRO.

BASE: PULIDO - ALUMINIO.

MESA: "CHAPA NATURAL - ROBLE NATURAL, ROBLE EBANIZADO, ROBLE LINO O NOGAL.

PINTURA DE LACA: NEGRA, BLANCA, FENDI O NUDE".

OPCIONAL: CARGADOR USB EN EL BRAZO (CABLE DE ALIMENTACIÓN A ENCHUFE ESTÁNDAR EN BRASIL O EE. UU.).



LOUNGE



DESCRIPTION OF PRODUCT

ASIENTO: FIJO - RESORTE + D33 + D26 ULTRACEL + FIBRA.

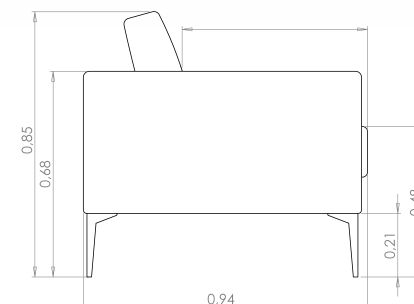
RESPALDO: FIJO - D23 HIPER + D20 SOFT + D33 + FIBRA.

ALMOHADA DE RESPALDO: SUELTO - D23 HIPER + D26 ULTRACEL + FIBRA.

PIE: PINTURAELECTROSTÁTICA-PLOMO, MARRÓNNEGRO.

PULIDO - ALUMINIO.

OPCIONAL: CARGADOR USB EN EL BRAZO (CABLE DE ALIMENTACIÓN A ENCHUFE ESTÁNDAR EN BRASIL O EE. UU.).



SOFA-CAMA NOAH



DESCRIPTION OF PRODUCT

ASIENTO: FIJO - RESORTE EMBOLSADO+ HR + D26 ULTRACEL + FIBRA.

RESPALDO: FIJO - RESORTE EMBOLSADO+ HR + D26 ULTRACEL + FIBRA.

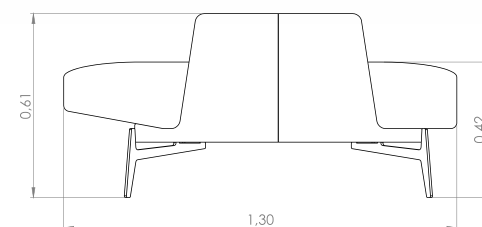
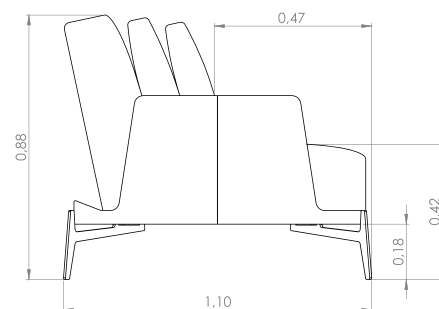
ALMOHADA DE RESPALDO MÁS GRANDE: SUELTO - D20 SOFT + D26 ULTRACEL + FIBRA.

ALMOHADA DE RESPALDO MÁS PEQUEÑO: SUELTO - FIELTRO + D26 ULTRACEL + FIBRA.

PIES: PINTURA ELECTROSTÁTICA – PLOMO, MARRÓN O NEGRO.

CHAPA NATURAL - ROBLE NATURAL, ROBLE EBANIZADO, ROBLE LINO O NOGAL.

OBSERVACIONES: LOS PIES LAMINADOS TIENEN BORDES PINTADOS POR DEFECTO. PRODUCTO NO DISPONIBLE PARA MEDIDAS SUPERIORES A 2,20 M DE ANCHO.



DIAMOND



DESCRIPTION OF PRODUCT

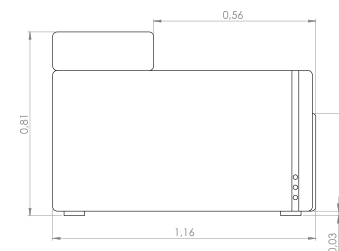
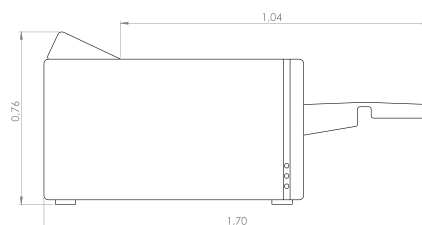
SEAT: RETRACTABLE - ELASTIC BELT + HR + D33 + FIBER.

BACKREST: RECLINING - D33 + D26 ULTRACEL + D20 SOFT + FIBER.

FOOT: IMBUIA.

OPTIONAL: USB CHARGER IN THE ARMREST (POWER CORD TO STANDARD BRAZIL OR US OUTLET).

NOTE: ELECTRIC RETRACTABLE AND RECLINING DRIVE MECHANISM.



SOUL



DESCRIPTION OF PRODUCT

SEAT: FIXED – ELASTIC BELT + HR + D20 SOFT + FIBER.

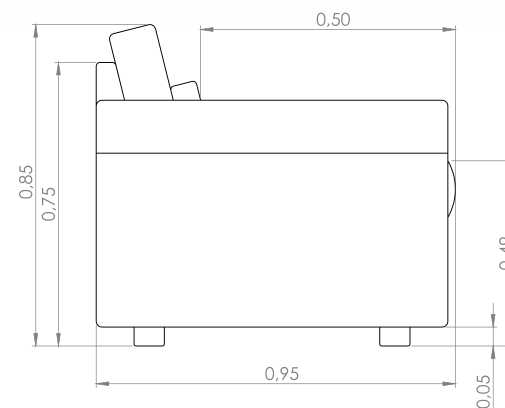
BACKREST: LOOSE - D23 HYPER + D20 SOFT + FIBER.

DECORATIVE CUSHION: LOOSE - D26 ULTRACEL + SILICONED FIBER.

FOOT: IMBUIA.

OPTIONAL: USB CHARGER IN THE ARMREST (POWER CORD TO STANDARD BRAZIL OR US OUTLET).

NOTE: PRODUCT NOT AVAILABLE IN LEATHER



QUEBEC



DESCRIPTION OF PRODUCT

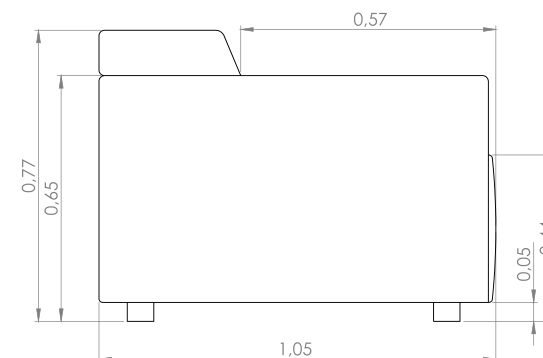
SEAT: RETRACTABLE - SPRING + D33 + D26 ULTRACEL + FIBER.

BACKREST: RECLINING - D33 + D20 SOFT + FIBER.

FOOT: IMBUIA.

OPTIONAL: USB CHARGER IN THE ARMREST (POWER CORD TO STANDARD BRAZIL OR US OUTLET).

NOTE: RECLINING BACKREST WITH 3 STAGES.



SANTORINI



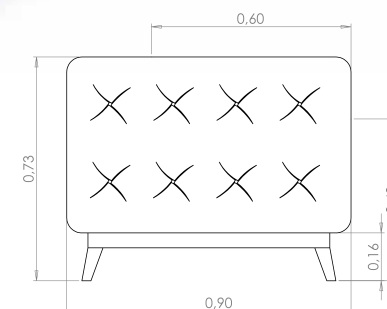
DESCRIPTION OF PRODUCT

SEAT: FIXED - SPRING + HR + D33.

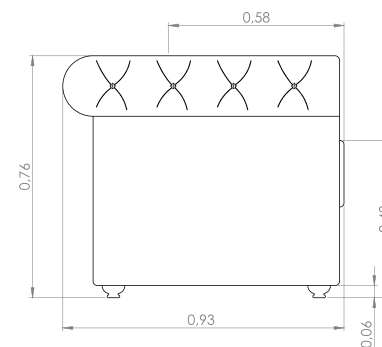
BACKREST: FIXED - D33.

BASE: LACQUER PAINT - WHITE, BLACK, FENDI OR NUDE.

TONALIZER: - NATURAL, EBONY, WALNUT, LINEN, WALNUT OR IMBUIA



CHESTERFIELD



DESCRIPTION OF PRODUCT

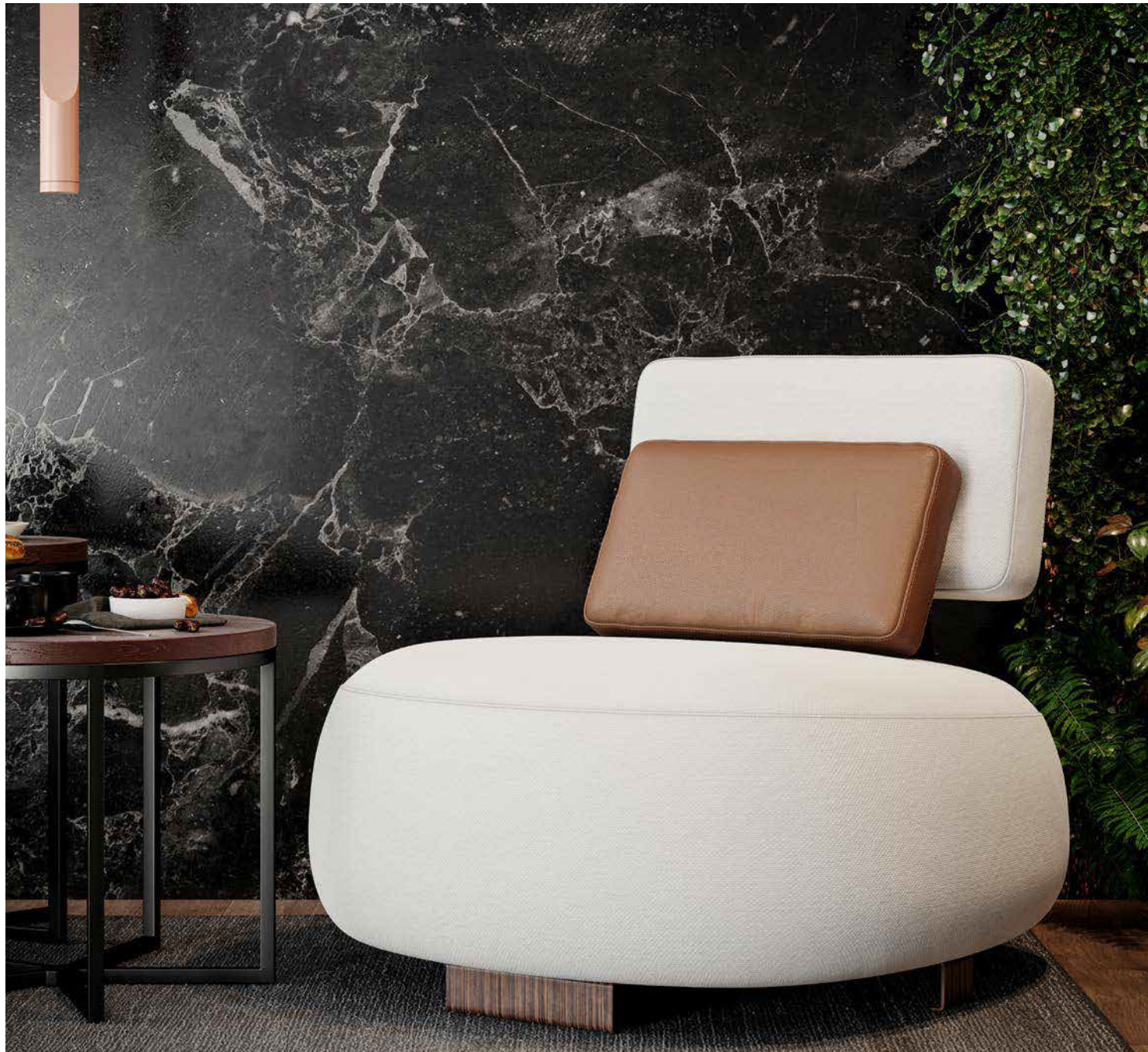
SEAT: FIXED – ELASTIC BELT + D20 SOFT.

SEAT CUSHION: LOOSE – HR + D26 ULTRACEL

BACKREST: FIXED – D33.

FOOT: IMBUIA

A R M C H A I R S





BOTO



DESCRIPTION OF PRODUCT

SEAT: FIXED - ELASTIC BELT - HR + ULTRACEL + FIBER

ARM: FIXED - D33 + FIBER

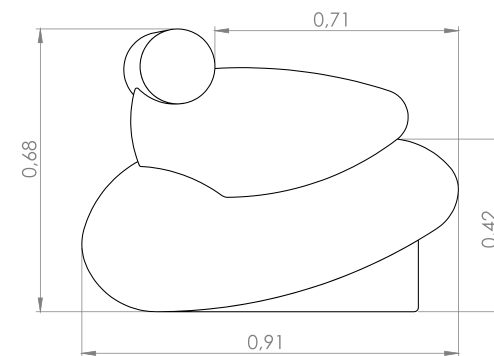
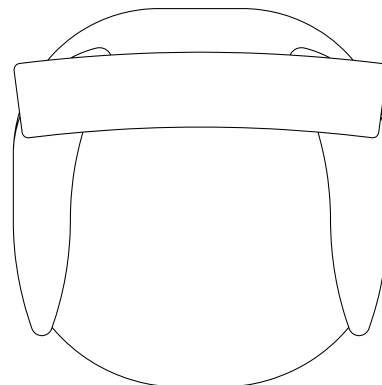
ROLL CUSHION: FIXED - D33 + FIBER

FOOT: ELECTROSTATIC PAINTING - LEAD, BROWN OR BLACK.

NOTE: THE ARMCHAIR WILL BE COMMERCIALIZED ONLY IN

FABRICS: 964, 55 1100, 551127, 551153, 851131, 951030, 951031, 965027, 965028, 965030, 965029, 965040, 965041, 965042, 971042.

PRODUCT NOT AVAILABLE IN LEATHER, FABRIC SUPPLIED BY THE CUSTOMER OR SPECIAL MEASURES. PART OF THE ARMS OVERLAP THE SEAT.



FABULA



DESCRIPTION OF PRODUCT

SEAT: FIXED - HR + ULTRACEL + FIBER

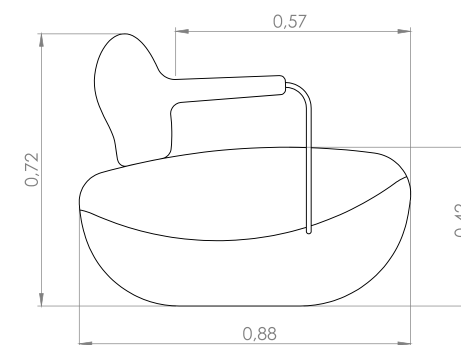
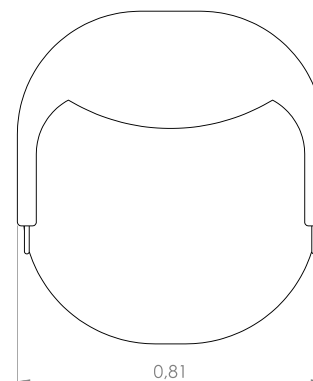
ARMREST: POLISHED STAINLESS STEEL - ELECTROSTATIC PAINTING: LEAD, BROWN OR BLACK.

EYELETS: POLISHED STAINLESS STEEL - ELECTROSTATIC PAINT: LEAD, BROWN OR BLACK.

OPTIONAL: FIXED OR ROTATING BASE.

NOTES: THE ARMCHAIR WILL BE COMMERCIALIZED ONLY IN FABRICS: 964, 551100, 551127, 551153, 851131, 951030, 951031, 965027, 965028, 965030, 965029, 965040, 965041, 965042, 971042.

PRODUCT UNAVAILABLE IN LEATHER, FABRIC SUPPLIED AND SPECIAL MEASUREMENTS.



TANNAT



DESCRIPTION OF PRODUCT

SEAT: FIXED - HR + FIBER

ARMREST: POLISHED STAINLESS STEEL - ELECTROSTATIC PAINTING: LEAD, BROWN OR BLACK.

DETAIL: POLISHED STAINLESS STEEL - ELECTROSTATIC PAINT: LEAD, BROWN OR BLACK.

SUPPORT PIN: POLISHED STAINLESS STEEL - ELECTROSTATIC PAINT: LEAD, BROWN OR BLACK.

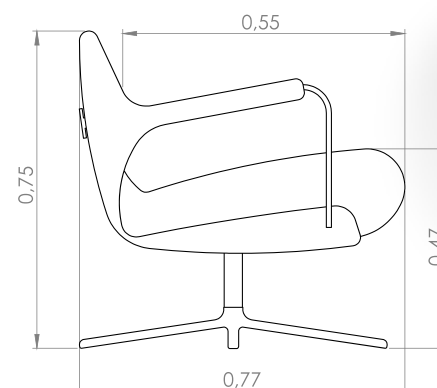
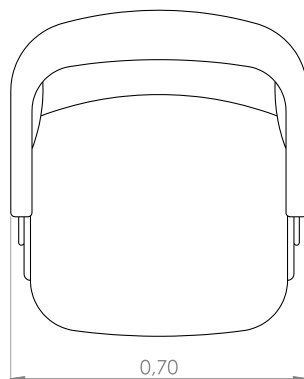
EYELETS: POLISHED STAINLESS STEEL - ELECTROSTATIC PAINT: LEAD, BROWN OR BLACK.

ROTATING BASE: POLISHED STAINLESS STEEL - ELECTROSTATIC PAINT: LEAD, BROWN OR BLACK.

ROPE: COLORS: SAND, WHITE, GRAY, BLACK

NOTES: PRODUCTS WILL BE SOLD ONLY IN FABRICS: 964, 551100, 551127, 551153, 851131, 951030, 951031, 965027, 965028, 965030, 965029, 965040, 965041, 965042, 971042.

PRODUCT UNAVAILABLE IN LEATHER, FABRIC SUPPLIED AND SPECIAL SIZES.



DIAMANTINA



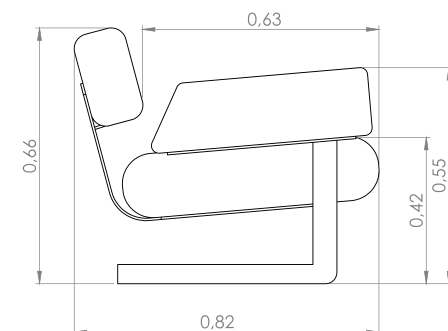
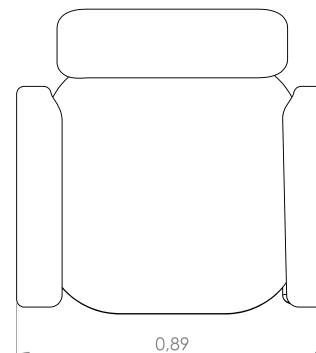
DESCRIPTION OF PRODUCT

SEAT: FIXED - HR + D26 ULTRACEL + FIBER.

BACKREST: FIXED - HR + FIBER.

BASE: ELECTROSTATIC PAINTING - LEAD, BROWN OR BLACK.
NATURAL VENEER - NATURAL OAK, EBONIZED OAK, OAK LINEN OR WALNUT.

NOTE: THE LAMINATED BASE HAS PAINTED EDGES AS STANDARD.
PRODUCT UNAVAILABLE IN SPECIAL MEASURES.



JAIBA



DESCRIPTION OF PRODUCT

SEAT: FIXED – ELASTIC BELT + HR + D33 + D26 ULTRACEL + FIBER.

BACKREST: FIXED - HR + FIBER.

LUMBAR CUSHION: FIXED - HR + FIBER.

FOOT/BASE: ELECTROSTATIC PAINTING – LEAD, BROWN OR BLACK.

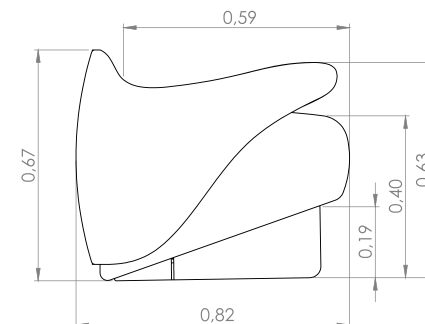
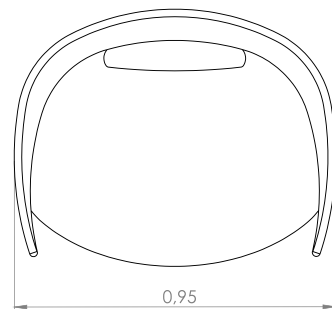
NOTE: LUMBAR CUSHION IS FIXED ON THE BACKREST.

THE ARMCHAIR WILL BE SOLD ONLY IN FABRICS 551100,

551101, 55111102, 551123, 551127, 651113, 651115, 951030,

951031, 951032, 965027, 965028, 965029 AND 965030.

PRODUCT NOT AVAILABLE IN LEATHER, CLIENT'S FABRICS AND SPECIAL MEASURES.



OPUS



DESCRIPTION OF PRODUCT

ARMCHAIR SEAT/BACKREST CUSHION: FIXED - HR + D20 SOFT + FIBER + GOOSE DOWN.

PUFF SEAT CUSHION: FIXED - GOOSE FEATHER + D33 + FIBER.

SHELL: COVERED - LEATHER OR FABRIC.

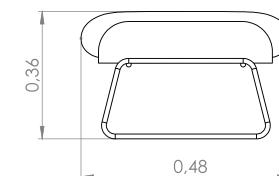
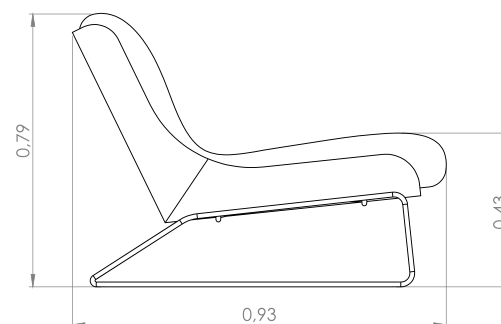
ROTATING BASE/FOOT: NATURAL VENEER - NATURAL OAK, EBONIZED OAK, OAK LINEN OR WALNUT.

FIXED BASE/FOOT: ELECTROSTATIC PAINTING - LEAD, BROWN OR BLACK.

OPTIONAL: FIXED OR ROTATING BASE.

NOTE: INTERNAL SHELL COVERING NOT AVAILABLE IN LEATHER.

THE GENERAL DIMENSIONS DO NOT CHANGE TO THE FIXED OR ROTATING CONFIGURATIONS. PRODUCT UNAVAILABLE IN SPECIAL MEASURES



AMBURANA



DESCRIPTION OF PRODUCT

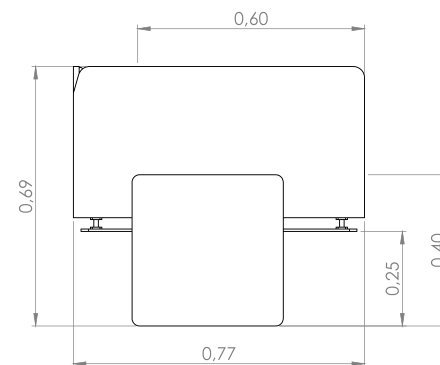
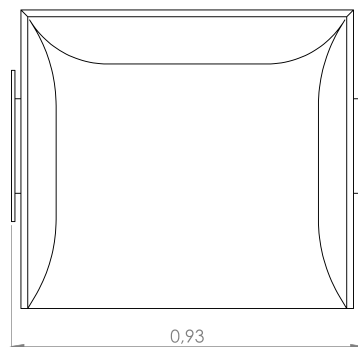
SEAT: FIXED - SPRING + HR + D33 + FIBER.

BACKREST: FIXED - HR + FIBER.

BASE: ELECTROSTATIC PAINTING - LEAD, BROWN OR BLACK.
NATURAL VENEER - NATURAL OAK, EBONIZED OAK, OAK LINEN OR WALNUT.

DETAIL: POLISHED STAINLESS STEEL.

NOTE: THE EDGES OF THE BASE WILL ALWAYS BE PAINTED.
PRODUCT UNAVAILABLE IN SPECIAL MEASURES.



BARU



DESCRIPTION OF PRODUCT

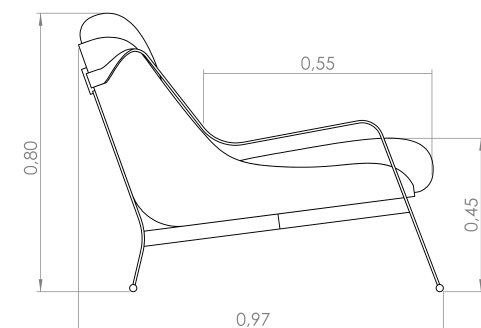
ARMCHAIR SEAT/BACKREST: LOOSE - HR + D20 SOFT + FIBER + GOOSE FEATHER.

PUFF SEAT: FIXED - ELASTIC BELT + HR + FIBER.

SHELL: COVERED - LEATHER.

BASE: ELECTROSTATIC PAINTING - LEAD, BROWN OR BLACK.

NOTE: THE SAME LEATHER CHOSEN TO COVER THE SHELL WILL BE USED IN THE ARM DETAIL. THE SHELL CANNOT BE COVERED IN FABRIC, PAINTED OR LAMINATED. PRODUCT NOT AVAILABLE IN SPECIAL MEASURES.



TAMBORIL



DESCRIPTION OF PRODUCT

SEAT: FIXED – ELASTIC BELT + HR + D33 + FIBER.

BACKREST: FIXED - HR + FIBER.

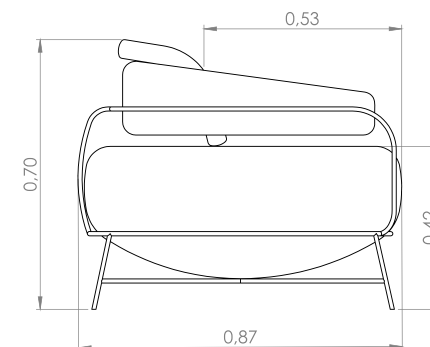
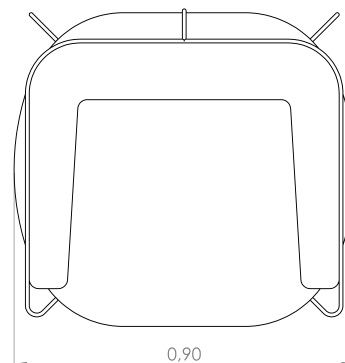
BACKREST CUSHION: LOOSE - COTTON.

BASE: STAINLESS STEEL.

NOTES: PRODUCT UNAVAILABLE IN LEATHER.

THE SEAT IS 90CM WIDE, BUT WHEN APPLIED TO THE PRODUCT IT TAKES UP 66CM OF SPACE IN THE FINAL CONFIGURATION.

PRODUCT UNAVAILABLE IN SPECIAL MEASURES.



PALLA CHAISE



DESCRIPTION OF PRODUCT

SEAT: FIXED - SPRING + ELASTIC BELT + D33 + HR + FIBER.

BACKREST CUSHION: LOOSE - GOOSE FEATHER.

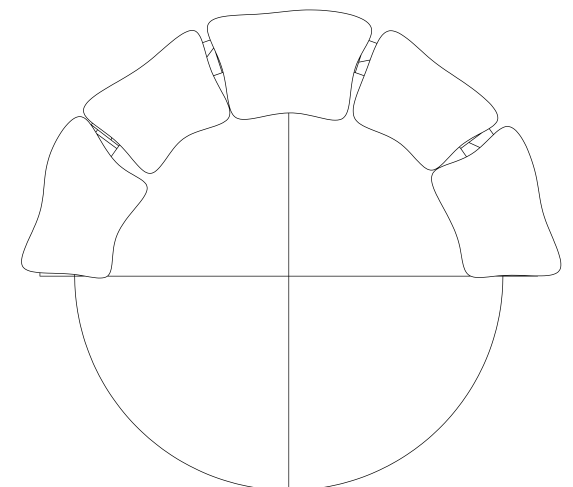
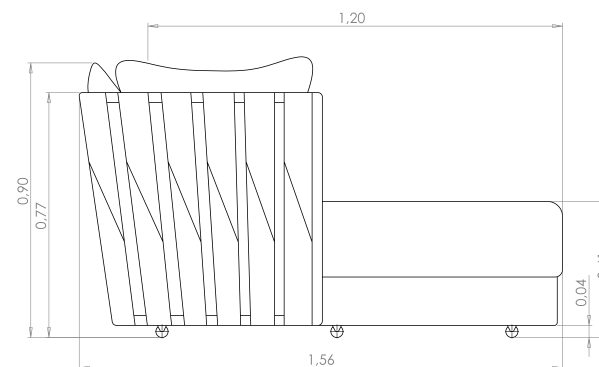
FRAME: ELECTROSTATIC PAINTING - LEAD, BROWN OR BLACK.

BASE: ROTATING.

SEAT COVER: WHITE (01), GREEN (02), CAMEL (03), BROWN (04), BLACK (05), SAND (06), GRAY (07).

NOTE: IT IS NOT POSSIBLE TO MAKE THE BACKREST STRAPS IN FABRIC.

PRODUCT UNAVAILABLE IN SPECIAL MEASURES.



WINDING



DESCRIPTION OF PRODUCT

SEAT: FIXED – ELASTIC BELT + HR + D33 + FIBER.

BACKREST: FIXED - D20 SOFT + FIBER.

DECORATIVE CUSHION: LOOSE - D23 HYPER + FIBER.

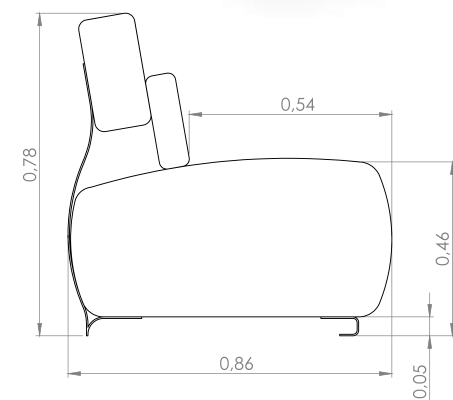
BASE: ELECTROSTATIC PAINTING – LEAD, BROWN OR BLACK.

NATURAL VENEER - NATURAL OAK, EBONIZED OAK, OAK LINEN OR WALNUT.

COVERED - LEATHER.

OPTIONAL: FIXED OR ROTATING BASE.

NOTE: THE BASE FINISHING IN NATURAL VENEER HAS PAINTED EDGES. PRODUCT UNAVAILABLE IN SPECIAL MEASURES.



WINDING CHAISE



DESCRIPTION OF PRODUCT

SEAT: FIXED – ELASTIC BELT + D33 + FIBER.

BACKREST: FIXED - D20 SOFT + FIBER.

BASE: ELECTROSTATIC PAINTING – LEAD, BROWN OR BLACK.

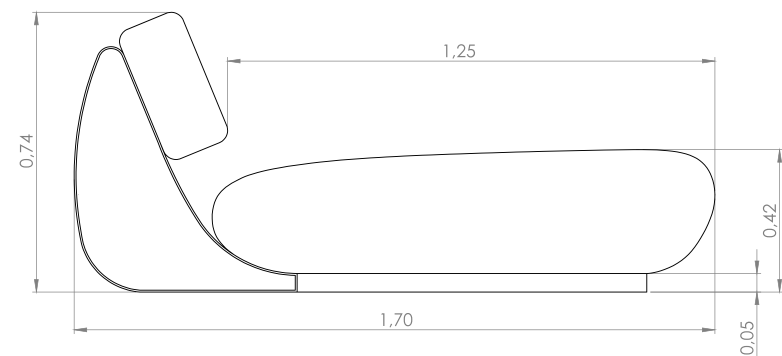
NATURAL VENEER - NATURAL OAK, EBONIZED OAK, OAK LINEN OR WALNUT.

COATED - LEATHER.

NOTES: ON THE NATURAL VENEER FINISH OPTIONS, THE EDGES OF THE BASE ARE PAINTED.

THE LEATHER-COVERED BASE OPTION HAS A DIFFERENTIATED SEAM ON THE COVER CLOSING.

PRODUCT UNAVAILABLE IN SPECIAL MEASURES.



HUG



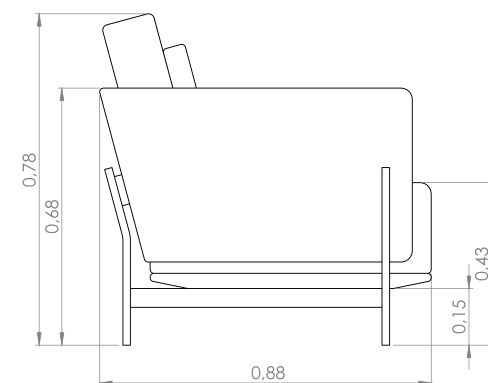
DESCRIPTION OF PRODUCT

SEAT: FIXED – ELASTIC BELT + HR + D33 + D26 ULTRACEL + FIBER.**BACKREST:**

FIXED - D33 + D20 SOFT.

BACKREST CUSHION: LOOSE - D23 + D26 ULTRACEL + FIBER.

FOOT: ELECTROSTATIC PAINTING – LEAD, BROWN OR BLACK.



BREEZE



DESCRIPTION OF PRODUCT

ASIENTO: FIJO - CINTURÓN ELÁSTICO + HR + D20 SUAVE + D33 + FIBRA.

RESPALDO: FIJO - HR + D20 SUAVE + FIBRA.

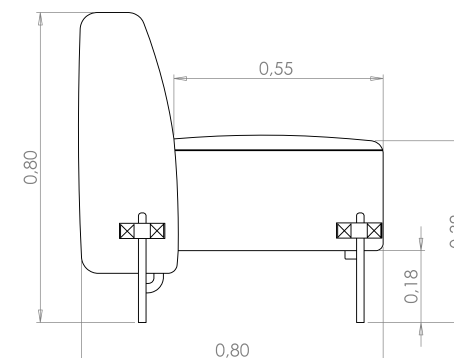
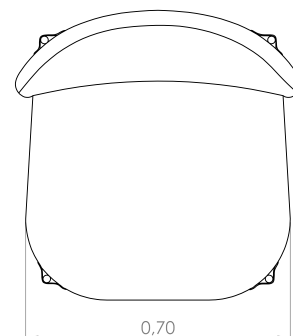
PIES: PINTURA ELECTROSTÁTICA - PLOMO, MARRÓN O NEGRO.

DETALLE: PIEL, FIBRA DE PIEL O TELA.

DETALLE DE LA COSTURA: DETALLE - COSTURA G

LÍNEA DE LA COSTURA: BLANCO (01), VERDE (02), CAMELO (03), MARRÓN (04), NEGRO (05), ARENA (06) O GRIS (07).

OBSERVACIONES: PRODUCTO NO DISPONIBLE EN MEDIDAS ESPECIALES.



HOLLY



DESCRIPTION OF PRODUCT

ASIENTO: FIJO - RESORTE + CINTURÓN ELÁSTICO + HR + FIBRA.

ALMOHADA DE RESPALDO: SUELTO - ALGODÓN + FIBRA.

ALMOHADA DECORATIVA: SUELTO - FIBRA SILICONADA.

ESTRUCTURA DEL RESPALDO: PINTURA ELECTROSTÁTICA - PLOMO, MARRÓN O NEGRO.

BASE SILLÓN Y CHAISE: GIRATORIA.

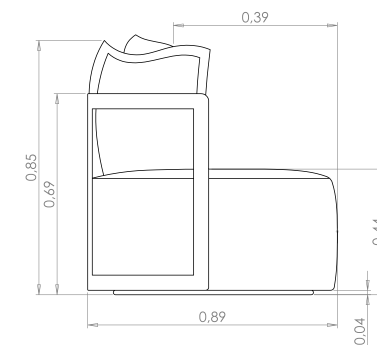
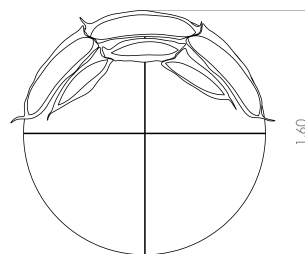
BASE PUFF: FIJA.

DETALLE DE COSTURA: COSTURA G.

DETALLE DE LA COSTURA: BLANCO (01), VERDE (02), CAMELO (03), MARRÓN (04), NEGRO (05), ARENA (06) O GRIS (07).

OBSERVACIONES: LAS CONFIGURACIONES DE PUFF NO CONTIENEN DETALLES DE COSTURA EN LA PARTE SUPERIOR DEL ASIENTO.

PRODUCTO NO DISPONIBLE EN MEDIDAS ESPECIALES.

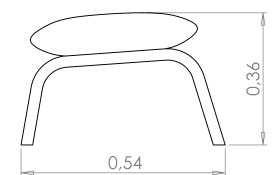
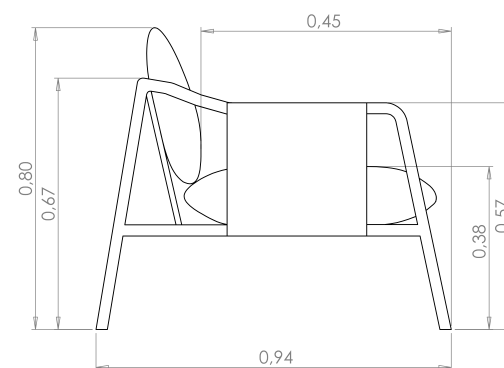
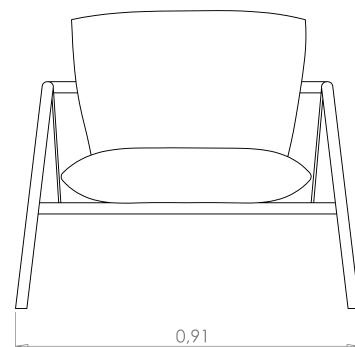


LEXUS



DESCRIPTION OF PRODUCT

- SEAT:** FIXED - SPRING + HR + FIBER.
- BACKREST CUSHION:** LOOSE - GOOSE FEATHER.
- BASE:** ELECTROSTATIC PAINT - LEAD, BROWN OR BLACK.
- DETAILS:** BUCKLE - GRAPHITE.
- OPTIONAL:** BACKREST CUSHION - FIBER.
- NOTE:** DETAIL UNAVAILABLE IN LEATHER



NINA



DESCRIPTION OF PRODUCT

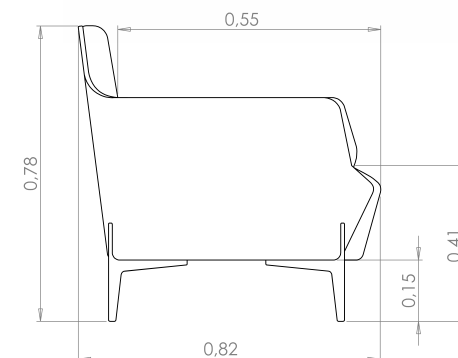
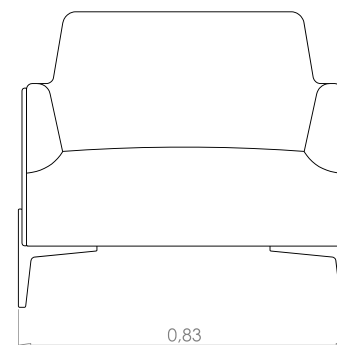
SEAT: FIXED - SPRING + D33 + D20 SOFT + FIBER.

BACKREST: FIXED - ELASTIC BELT + D33 + D20 SOFT + FIBER.

FEET: ELECTROSTATIC PAINTING - LEAD, BROWN OR BLACK.

NATURAL VENEER - NATURAL OAK, EBANIZED OAK, OAK LINEN OR WALNUT.

NOTE: LAMINATED FEET HAVE PAINTED EDGES AS STANDARD



ONO



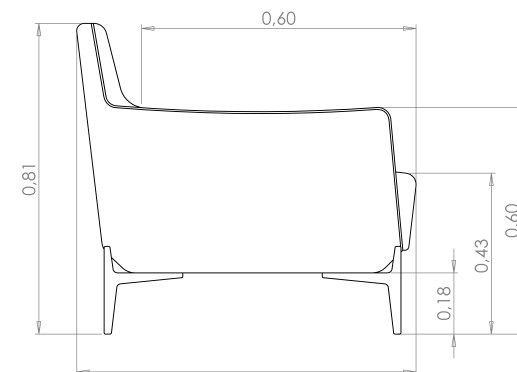
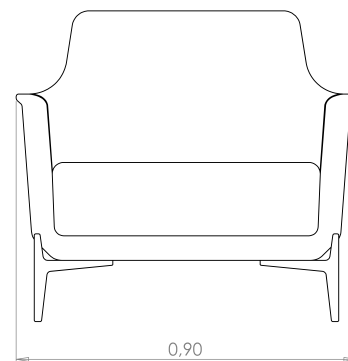
DESCRIPTION OF PRODUCT

SEAT: FIXED - SPRING + D33 + D20 SOFT + FIBER.

BACKREST: FIXED - ELASTIC BELT + D33 + D20 SOFT + FIBER.**C12 FEET:**

ELECTROSTATIC PAINTING - LEAD, BROWN OR BLACK. NATURAL VENEER - NATURAL OAK, EBANIZED OAK, OAK LINEN OR WALNUT.

NOTE: LAMINATED FEET HAVE PAINTED EDGES AS STANDARD.



PALLA



DESCRIPTION OF PRODUCT

SEAT: FIXED – ELASTIC BELT + HR + D26 ULTRACEL + D20 SOFT + FIBER.

BACKREST CUSHION: LOOSE - GOOSE FEATHER.

DECORATIVE CUSHION: LOOSE - GOOSE FEATHER.

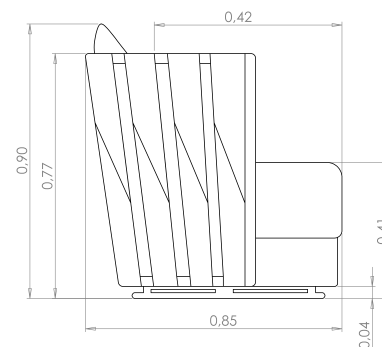
FRAME: ELECTROSTATIC PAINTING – LEAD, BROWN OR BLACK. **FIXED**

LEGS: IMBUIA.

BASE: ROTATING.

OBSERVATIONS: STRIPS UNAVAILABLE IN FABRIC.

PRODUCT UNAVAILABLE IN SPECIAL MEASURES



SUEN



DESCRIPTION OF PRODUCT

SEAT: FIXED - HR + D20 SOFT + FIBER.

BACKREST: FIXED - D20 SOFT + FIBER.

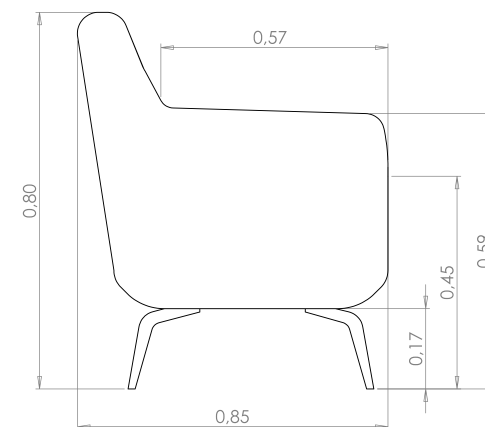
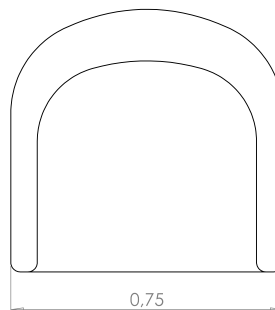
FOOT: ELECTROSTATIC PAINT – LEAD, BROWN OR BLACK.

NATURAL VENEER - NATURAL OAK, EBONIZED OAK, OAK LINEN OR WALNUT.

DETAILS: ZIPPER - BEIGE, GRAY, LEAD OR BLACK.

NOTE: LAMINATED FEET HAVE PAINTED EDGES AS STANDARD.

PRODUCT UNAVAILABLE IN SPECIAL MEASURES.



TURQUESA



DESCRIPTION OF PRODUCT

SEAT: FIXED - ELASTIC BELT + D33 + D26 ULTRACEL + HR + FIBER.

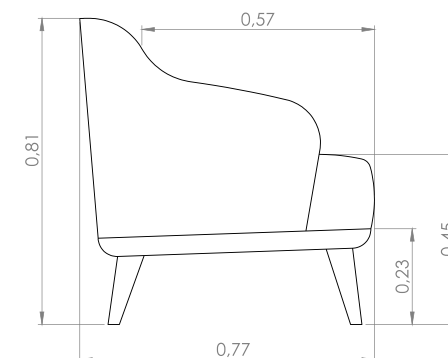
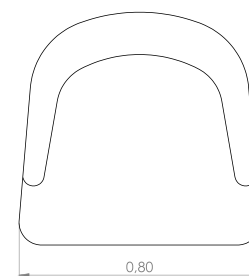
BACKREST: FIXED - D20 SOFT + FIBER.

FIXED BASE: LACQUER PAINT - FENDI, NUDE, WHITE OR BLACK.

DYEING: NATURAL OAK, EBONIZED OAK, OAK LINEN OR WALNUT.

ROTATING BASE: POLISHED ALUMINUM.

OPTIONAL: FIXED OR ROTATING BASE.



SPLENDORE



DESCRIPTION OF PRODUCT

SEAT: FIXED - ELASTIC BELT + D33 + D26 ULTRACEL + FIBER.

BACKREST: FIXED - D33 + D20 SOFT + D23 HYPER + FIBER.

BACKREST CUSHION: LOOSE - D23 HYPER + D26 ULTRACEL + FIBER.

BASE: NATURAL VENEER - NATURAL OAK, EBANIZED OAK, OAK LINEN OR WALNUT.

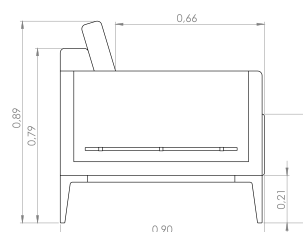
FOOT: ELECTROSTATIC PAINTING - LEAD, BROWN OR BLACK.

POLISHED - ALUMINUM.

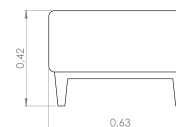
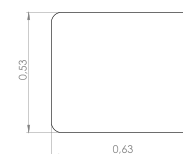
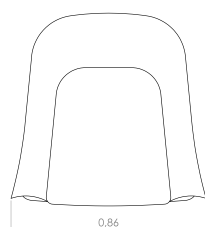
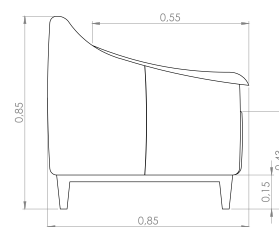
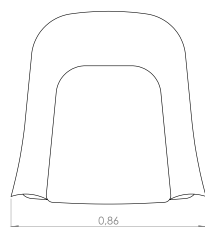
DETAILS: ARM - ALUMINUM, LEAD, BROWN OR BLACK.

DISTINGUISHED SEWING: ARM - SEWING G

SEWING THREAD: WHITE (01), GREEN(02), CAMEL(03), BROWN(04), BLACK(05), SAND(06) OR GRAY(07).



FORM



DESCRIPTION OF PRODUCT

SEAT: FIXED – ELASTIC BELT + D33 + D20 SOFT + FIBER.

BACKREST: FIXED - D20 SOFT + FIBER.

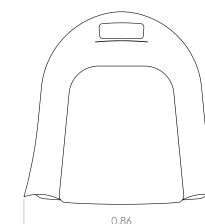
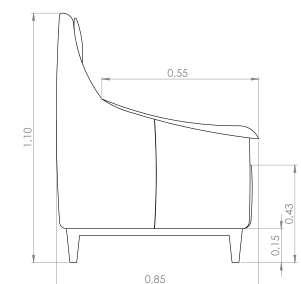
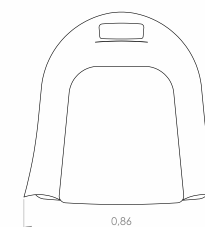
FIXED BASE: DYEING - NATURAL, EBANIZED, WALNUT, LINEN, WALNUT OR IMBUIA.

LACQUER PAINTING - WHITE, BLACK, FENDI OR NUDE.

ROTATING BASE: BLACK.

NOTE: ROTATING BASE UNAVAILABLE FOR PUFF CONFIGURATION.

FORM SLIM



DESCRIPTION OF PRODUCT

SEAT: FIXED – ELASTIC BELT + D33 + D20 SOFT + FIBER.

BACKREST: FIXED - D20 SOFT + FIBER.

FIXED BASE: DYEING - NATURAL, EBANIZED,
WALNUT, LINEN, WALNUT OR IMBUIA.

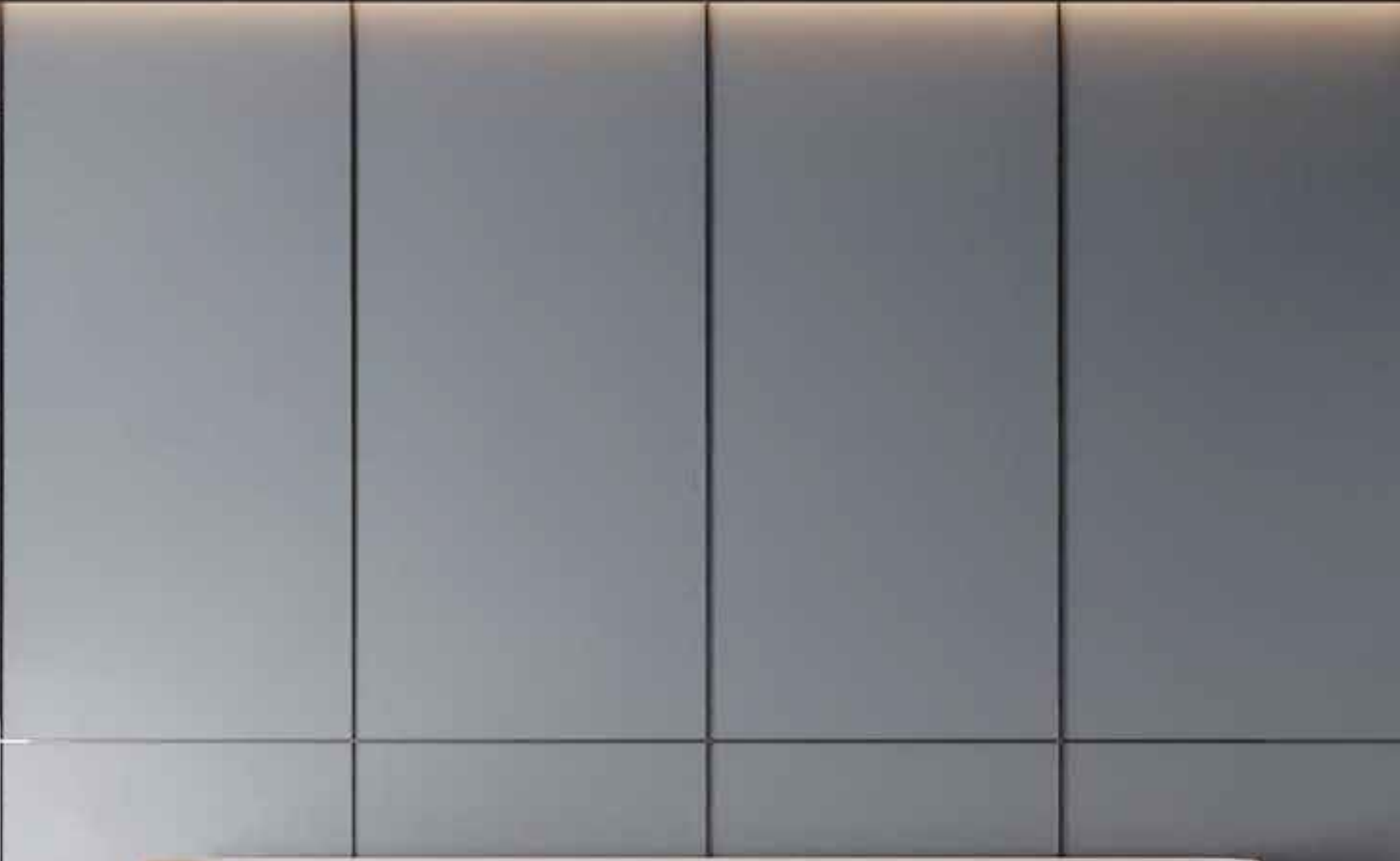
LACQUER PAINTING - WHITE, BLACK, FENDI OR NUDE.

ROTATING BASE: BLACK.

NOTE: ROTATING BASE UNAVAILABLE FOR PUFF CONFIGURATION.

B E D S





AFRODITE



DESCRIPTION OF PRODUCT

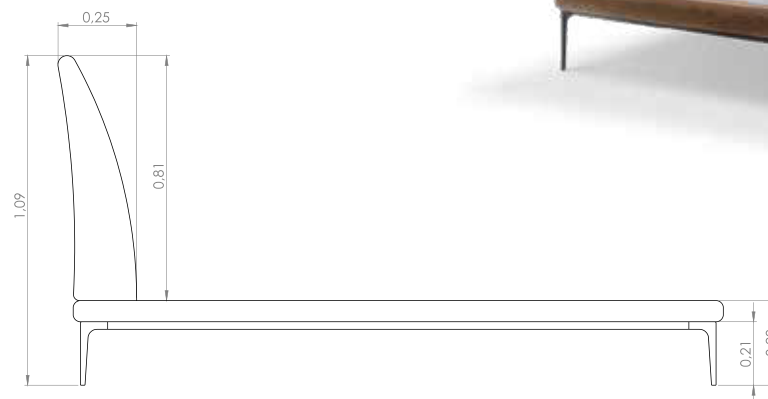
HEADBOARD: FIXED - D33.

INVOLVING STRUCTURE: FIXED - D33.

FOOT/BASE: ELECTROSTATIC PAINTING – LEAD, BROWN OR BLACK.

NOTE: WHEN THE HEADBOARD IS COVERED IN BRAIDED LEATHER, IT IS POSSIBLE TO FIND SOME UNIFORMITIES BECAUSE IT IS A HANDMADE PRODUCT.

THE BRAIDED LEATHER IS ONLY AVAILABLE IN GRAY AND IN THE OFF WHITE/BLACK SUEDE COMBINATION.



HUG



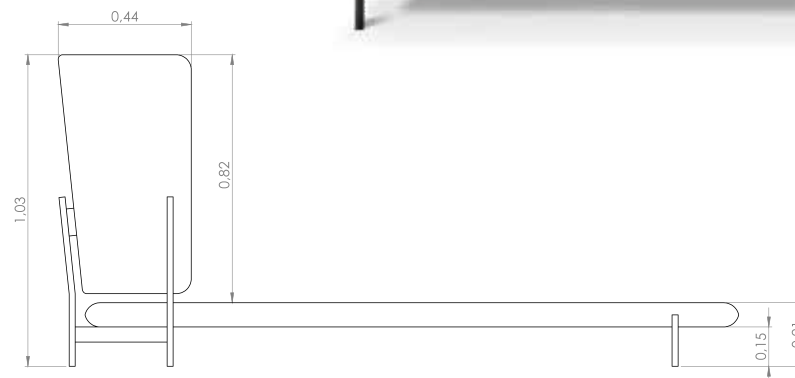
DESCRIPTION OF PRODUCT

HEADBOARD: FIXED - D20 SOFT.

INVOLVING STRUCTURE: FIXED - D33.

FEET: ELECTROSTATIC PAINTING - BROWN, LEAD OR BLACK.

NOTE: THE SPLIT OPTIONS HAVE THE BASE DIVIDED IN HALF IN THE DEPTH.



JADE



DESCRIPTION OF PRODUCT

HEADBOARD: FIXED - D33 + FIBER.

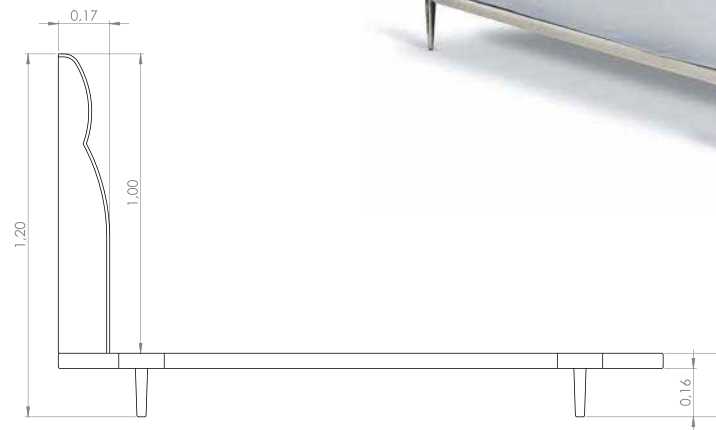
BASE: FIXED - D33.

FEET: ELECTROSTATIC PAINTING – LEAD, BROWN OR BLACK.

POLISHING - ALUMINUM.

SEWING THREADS: WHITE (01), GREEN (02), CAMEL (03), BROWN (04), BLACK (05), SAND (06) OR GRAY (07).

NOTE: WHEN COVERED IN LEATHER, DUE TO THE SIZE LIMIT OF THE LEATHER, THE BED WILL HAVE DIFFERENTIATED SEWING IN THE BACKREST AND INVOLVING STRUCTURE. THE THREAD COLOR WILL BE OPTIONAL ONLY WHEN THE BED IS COVERED IN LEATHER. THE HEADBOARD OPTIONS HAVE 1CM PLASTIC FEET. THE SPLIT OPTIONS HAVE THE BASE DIVIDED IN HALF IN THE DEPTH



BALI



DESCRIPTION OF PRODUCT

BACKREST: FIXED - D33 + D20 SOFT + FIBER.

INVOLVING STRUCTURE: FIXED - D33.

FEET: ELECTROSTATIC PAINTING - BROWN, LEAD, OR BLACK.

OBSERVATIONS: THE HEADBOARD OPTIONS HAVE 1CM PLASTIC FEET.

THE SPLIT OPTIONS HAVE THE BASE DIVIDED IN HALF IN THE DEPTH.



HARBOR



DESCRIPTION OF PRODUCT

HEADBOARD: FIXED - D33 + D20 SOFT + FIBER.

INVOLVING STRUCTURE: FIXED - D33.

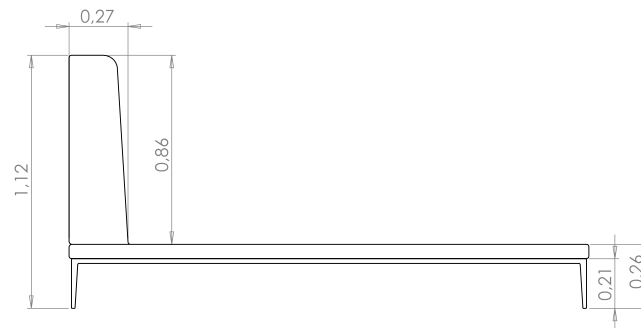
BASE: ELECTROSTATIC PAINTING – LEAD, BROWN OR BLACK.

POLISHING - ALUMINUM.

NOTE: THE HEADBOARD OPTIONS HAVE 1CM PLASTIC FEET.

THE BIPARTITE OPTIONS HAVE THE BASE DIVIDED IN HALF IN THE DEPTH.

NOT AVAILABLE IN LEATHER.



ROLIMA



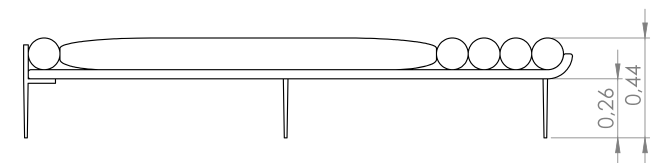
DESCRIPTION OF PRODUCT

SEAT: FIXED - HR + ULTRACEL + D33 + FIBER

ROLL CUSHION: FIXED - HR + FIBER

FOOT: ELECTROSTATIC PAINTING - LEAD, BROWN OR BLACK.

NOTE: THE TOTAL WIDTH OF THE STOOL IS GREATER THAN THE WIDTH OF THE SEAT WITH THE ROLL CUSHIONS, DUE TO THE CURVATURE OF THE DRAWER.



AMBURANA



DESCRIPTION OF PRODUCT

SEAT: FIXED - HR + ULTRACEL + D33 + FIBER

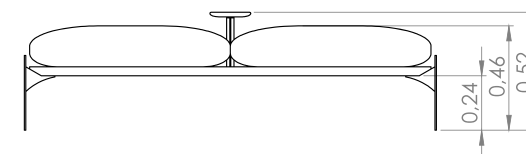
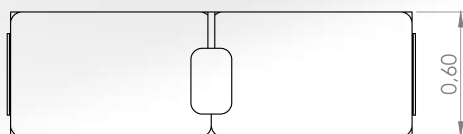
TABLE: NATURAL VENEER - NATURAL OAK, EBANIZED OAK, LINEN OAK OR WALNUT.

DYEING: NATURAL STAIN, EBANIZED, LINEN, WALNUT OR IMBUIA

TABLE STAND: ELECTROSTATIC PAINT - FENDI, LEAD, BROWN OR BLACK

FOOT: ELECTROSTATIC PAINT - FENDI, LEAD, BROWN OR BLACK.

NATURAL VENEER - NATURAL OAK, BURLED OAK, LINEN OAK OR WALNUT.



ROSS



DESCRIPTION OF PRODUCT

SEAT: FIXED - D33 + D20 SOFT + FIBER.

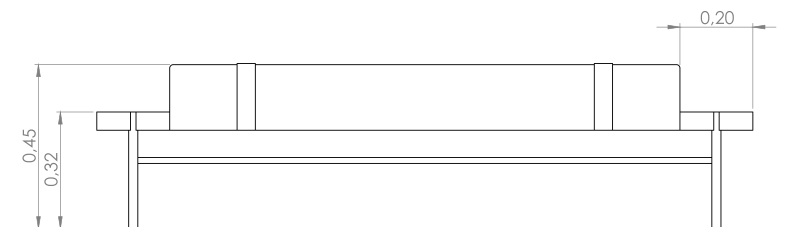
BASE: ELECTROSTATIC PAINT – LEAD, BROWN OR BLACK.

TABLE: NATURAL VENEER - NATURAL OAK, EBONIZED OAK, OAK LINEN OR WALNUT.

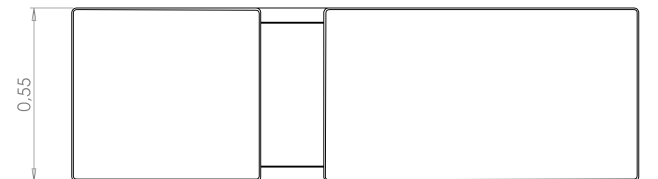
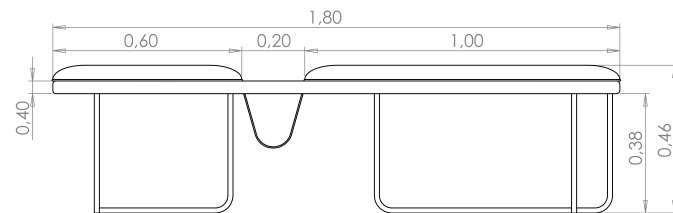
DETAIL: BELT - FABRIC OR LEATHER.

SEWING DETAIL: BELT – G SEWING

SEWING THREAD: WHITE (01), GREEN (02), CARAMEL (03), BROWN (04), BLACK (05), SAND (06) OR GRAY (07).



OTTIS



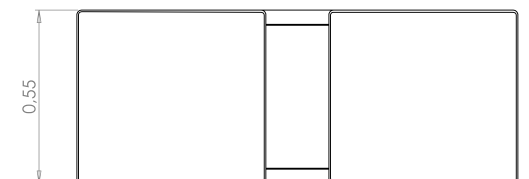
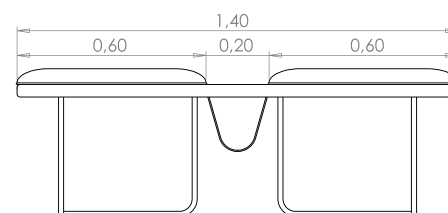
DESCRIPTION OF PRODUCT

SEAT: FIXED - D33 + FIBER.

FEET: ELECTROSTATIC PAINTING - LEAD, BROWN OR BLACK.

BASE: DYEING - NATURAL DYEING, EBANIZED, WALNUT, LINEN, WALNUT OR IMBUIA.

NOTES: HEM AND BOOKCASE UNAVAILABLE IN LEATHER.



KIM



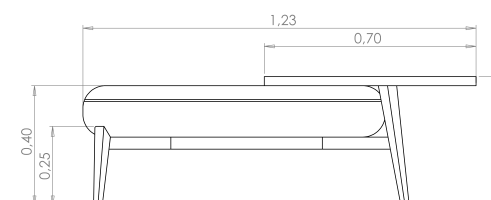
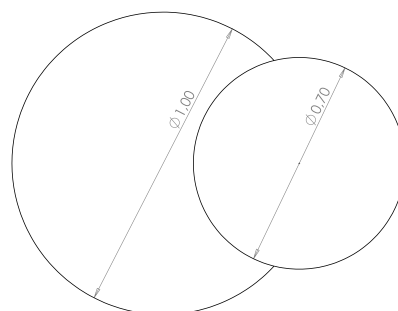
DESCRIPTION OF PRODUCT

SEAT: FIXED – ELASTIC BELT + D33 + FIBER.

BASE: TONED - NATURAL, EBANIZED, LINEN, WALNUT, WALNUT OR IMBUIA.

TABLE: NATURAL VENEER - NATURAL OAK, EBANIZED OAK, LINEN OAK OR WALNUT.

NOTE: THE TABLE CONTAINS 70CM WIDTH, HOWEVER, APPLIED TO THE PRODUCT IT TAKES UP A SPACE OF 23CM IN THE FINAL CONFIGURATION. PRODUCT UNAVAILABLE IN SPECIAL MEASURES.



OTTO



DESCRIPTION OF PRODUCT

OTTO

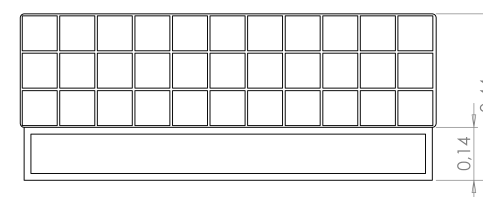
SEAT: FIXED – ELASTIC BELT + D33 + FIBER.

BASE: ELECTROSTATIC PAINTING – LEAD, BROWN OR BLACK.

NOTE: LEATHER COVERING UNAVAILABLE

FOR SMOOTH PUFF CONFIGURATIONS.

FABRIC COVERING UNAVAILABLE FOR CHECKERED PUFF CONFIGURATIONS.



EROS



DESCRIPTION OF PRODUCT

SEAT: FIXED – ELASTIC BELT + D33 + FIBER.

FIXED FOOT: MBUIA.

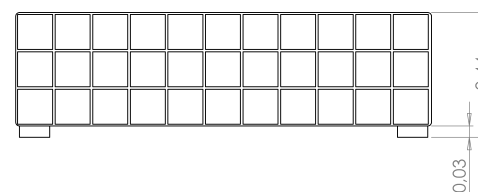
ROTATING FOOT: CASTER.

OPTIONAL: FIXED OR ROTATING BASE.

NOTE: LEATHER COVERING UNAVAILABLE

FOR SMOOTH PUFF CONFIGURATIONS.

FABRIC COVERING UNAVAILABLE FOR CHECKERED PUFF CONFIGURATIONS.

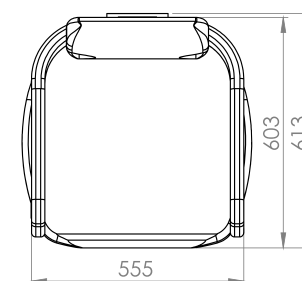
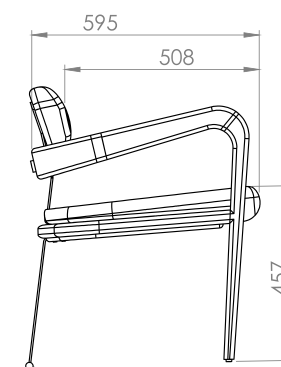
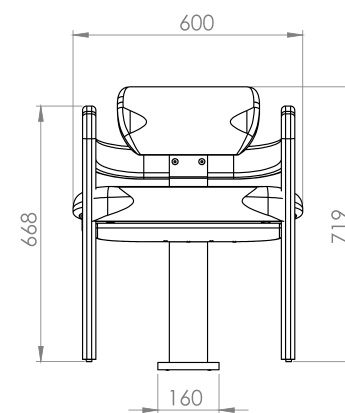


A close-up photograph of a modern wooden chair. The chair features a light-colored wood frame with a curved backrest and a dark brown leather seat. The leather has a subtle texture and is secured with visible stitching along the edges. A white grid pattern is overlaid on the entire image, creating a geometric design. The text 'LINE WOOD' is centered in the upper portion of the image.

LINE
WOOD

A close-up photograph of a black leather chair seat. The leather has a subtle texture and is accented with white stitching along the edges. The lighting creates soft shadows, highlighting the contours of the seat. The text 'chair STALK' is overlaid in the center-left area.

chair STALK



DESCRIPTION OF PRODUCT

SEAT: FIXED + D28+ FIBER.

BACKREST: FIXED+ D28+ FIBER.

STRUCTURE: TAUARI WOOD.

WOOD DYEING: LINEN, WALNUT, EBANIZED, NATURAL, WOOD AND WALNUTS.

STEEL FOOT: ELECTROSTATIC PAINTING
-BLACK, BROWN, LEAD, NUDE.

OBSERVATIONS: REMEMBERING THAT THE LINEM DYE IS A TRANSPARENT WHITE DYE THAT HIGHLIGHTS THE SEALS IN THE WOOD AS WELL AS THE DIFFERENCE IN ITS HONEY.



DESCRIPTION OF PRODUCT

SEAT: FIXED + D28+ FIBER.

BACKREST: FIXED+ D28+ FIBER.

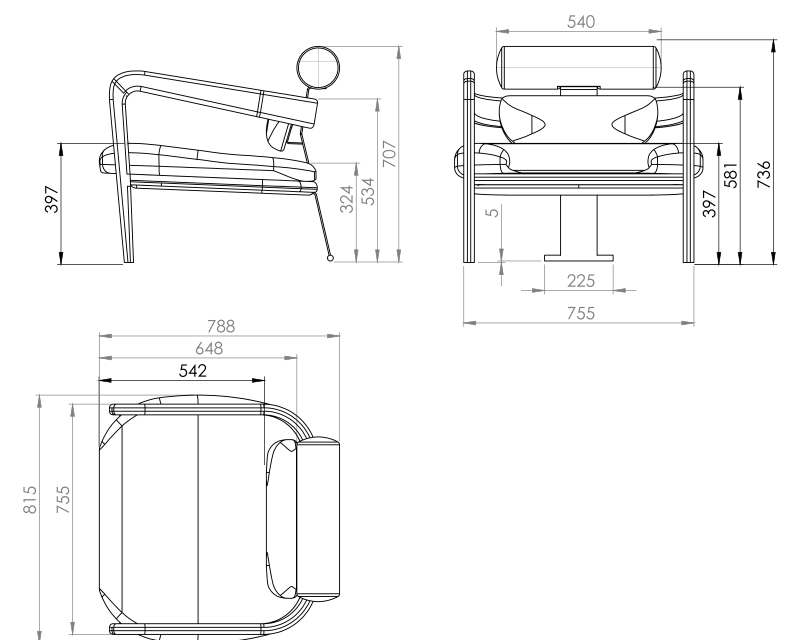
KIDNEY CUSHION: FIXED + D28+ FIBER.

STRUCTURE: TAUARI WOOD.

WOOD DYEING: LINEN, WALNUT, EBANIZED, NATURAL, WOOD AND WALNUTS.

STEEL FOOT: ELECTROSTATIC PAINTING
-BLACK, BROWN, LEAD, NUDE.

OBSERVATIONS: REMEMBERING THAT THE LINEM DYE IS A TRANSPARENT WHITE DYE THAT HIGHLIGHTS THE SEALS IN THE WOOD AS WELL AS THE DIFFERENCE IN ITS HONEY.





DESCRIPTION OF PRODUCT

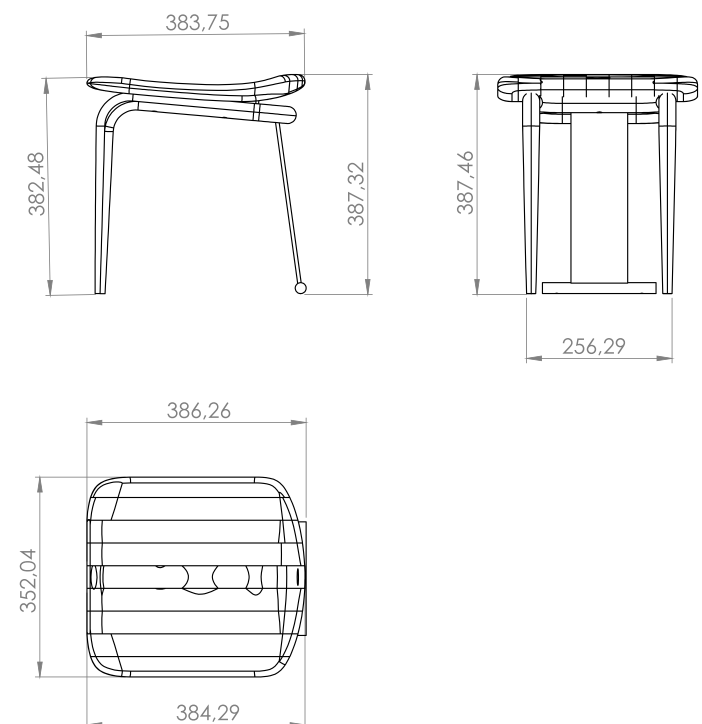
SEAT: TAUARI WOOD.

STRUCTURE: TAUARI WOOD.

WOOD DYEING: LINEN, WALNUT, EBANIZED, NATURAL, WOOD AND WALNUTS.

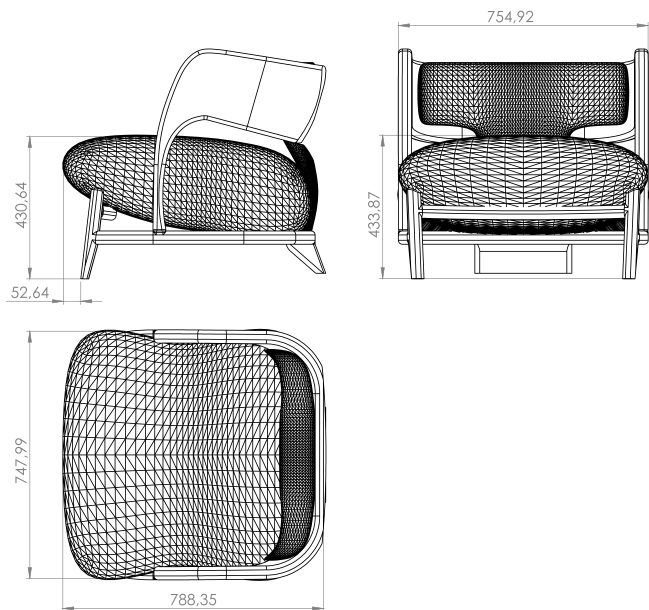
STEEL FOOT: ELECTROSTATIC PAINTING
-BLACK, BROWN, LEAD, NUDE.

OBSERVATIONS: REMEMBERING THAT THE LINEM DYE IS A TRANSPARENT WHITE DYE THAT HIGHLIGHTS THE SEALS IN THE WOOD AS WELL AS THE DIFFERENCE IN ITS HONEY.



stool

S T A L K



DESCRIPTION OF PRODUCT

SEAT: FIXED + D28+ FIBER.

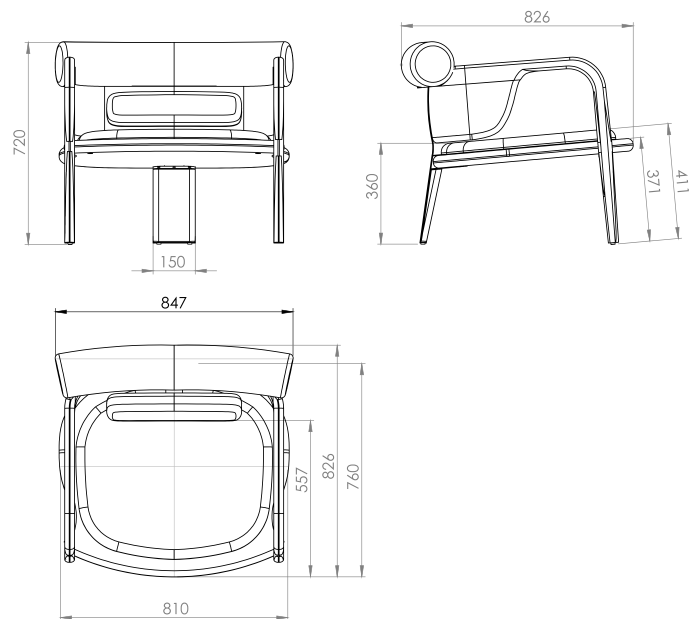
BACKREST: FIXED + D28+ FIBER.

STRUCTURE: TAUARI WOOD.

WOOD DYEING: LINEN, WALNUT, EBANIZED, NATURAL, WOOD AND WALNUTS.

OBSERVATIONS: REMEMBERING THAT THE LINEM DYE IS A TRANSPARENT WHITE DYE THAT HIGHLIGHTS THE SEALS IN THE WOOD AS WELL AS THE DIFFERENCE IN ITS HONEY.





LONGEVA

armchair

DESCRIPTION OF PRODUCT

SEAT: FIXED + D28+ FIBER.

BACKREST: FIXED+ D28+ FIBER.

KIDNEY CUSHION: FIXED + D28+ FIBER. STRUCTURE: TAUARI WOOD.

WOOD DYEING: LINEN, WALNUT, EBANIZED, NATURAL, WOOD AND WALNUTS.

STEEL FOOT: ELECTROSTATIC PAINTING - BLACK, BROWN, LEAD, NUDE.

OBSERVATIONS: REMEMBERING THAT THE LINEM DYE IS A TRANSPARENT WHITE DYE THAT HIGHLIGHTS THE SEALS IN THE WOOD AS WELL AS THE DIFFERENCE IN ITS HONEY.



RITUAL

DESCRIPTION OF PRODUCT

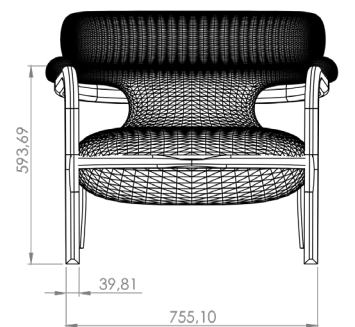
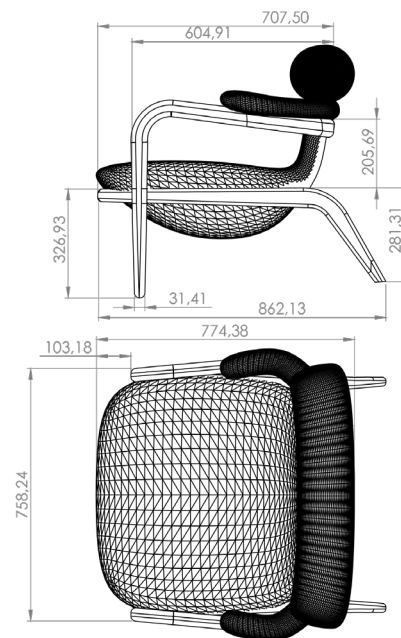
SEAT: FIXED + D28+ FIBER.

BACKREST: FIXED+ D28+ FIBER.

STRUCTURE: TAUARI WOOD.

WOOD DYEING: LINEN, WALNUT, EBANIZED, NATURAL, WOOD AND WALNUTS.

OBSERVATIONS: REMEMBERING THAT THE LINEN DYE IS A TRANSPARENT WHITE DYE THAT HIGHLIGHTS THE SEAMLES OF THE WOOD AS WELL AS THE DIFFERENCE IN ITS HONEY



INFORMATION



FOAM EXTRUDED

POLYURETHANE FOAMS USED BY FEELING ESTOFADOS IN ITS PRODUCT LINE, HAVE A CHEMICAL TREATMENT THAT MAKES THEM SELF-EXTINGUISHED (ANTI-FLAME), OR WHEN EXPOSED TO FIRE, THE BURNING RATE SLOW DOWN, AND WHEN THE FLAME IS REMOVED THE FIRE IS EXTINGUISHED FROM THE FOAM. VERY IMPORTANT, THE FABRICS, THE FIBERS, THE ELASTIC BELTS, THE TIMBER AND OTHER ITEMS THAT ARE PART OF THE CONSTRUCTION OF THESE PRODUCTS, DO NOT HAVE THIS FEATURES, SO SHOULD BE AVOIDED WHENEVER THE CLOSENESS OF THIS SOFAS WITH OPEN FLAMES LIKE CIGARETTES, ETC. ANYWAY, IN CASE OF AN ACCIDENT, THE SPEED OF PROPAGATION OF THE FLAME WILL BE DIMINISHED CONSIDERABLY, THAT WILL FACILITATE ITS EXTINCTION

Costura A



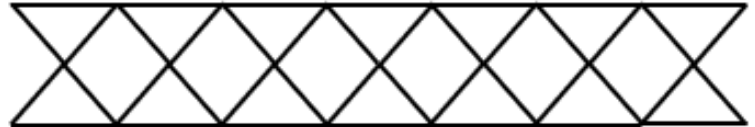
Costura B



Costura C



Costura D



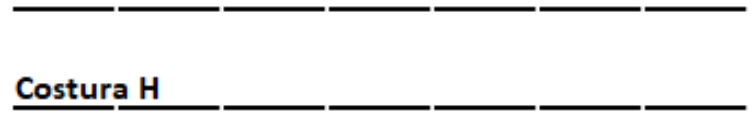
Costura E



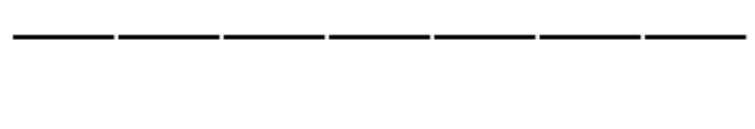
Costura F



Costura G



Costura H



ULTRACEL CHARACTERISTICS

DIFFERENTIATED FOAM THAT PROVIDES HIGH DURABILITY AND SOFTNESS. WITH NEAR ZERO DEFORMATION COEFFICIENT

* AS TESTED, WHERE THE FOAM WAS PLACED UNDER AN CAR'S TIRE FOR 12 HOURS AND KEEPED 100% OF ORIGINAL FORMAT

- FABRICS SUPPLIED PRINTED, MUST BE SET WITH 20% MORE THAN THE INDICATED SIZE.
- WE DO NOT RECOMMEND COVERING LEATHER AND/OR LEATHER IN ARTICULATED PRODUCTS, AS IT CAN BE DAMAGED OVER TIME AT POINTS WHERE THE PRODUCT UNDERGOES FRICTION DUE TO MOVEMENT.
- WHEN COVERED IN LEATHER, DUE TO THE SKIN SIZE LIMIT, THE PRODUCTS MAY CONTAIN ADDITIONAL SEAMS ON SOME OF ITS PARTS.
- LEATHER IS ONLY AVAILABLE FOR COVERING DETAILS AND FINISHES, IT IS NOT POSSIBLE TO COVER UPHOLSTERY COMPLETELY.

FINISHES

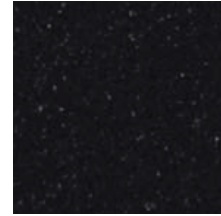
FINISHING OPTIONS IN ELECTROSTATIC PAINTING



BROWN



LEAD



BLACK

POLISHING OPTION

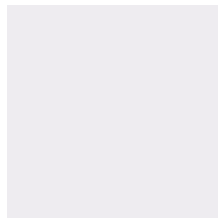


ALUMINUM

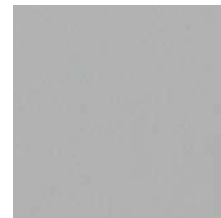
FINISHING OPTIONS IN LACQUER PAINT



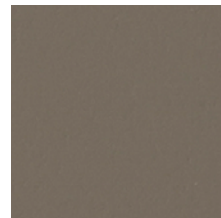
BLACK



WHITE

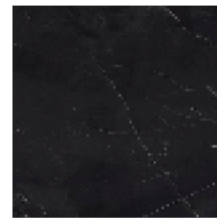


NUDE



FENDI

PORCELAIN FINISHING OPTIONS



DARK



PARANA SOFT

DYEING FINISHING OPTIONS



NATURAL
DYEING



EBANIZED



LINEN



WALNUT
DYEING



WALNUT



IMBUIA

FINISHING OPTIONS IN NATURAL LAMINATE



NATURAL
OAK



EBANIZED
OAK



OAK LINEN



WALNUT

- SLIGHT VARIATION IN COLOR DUE TO THE PRINTING PROCESS CAN OCCUR



Lux Miiانو inc

573 Illinois Rte 59, Aurora, IL 60504 Tel: +1(630)-923-1383

www.Luxmiiانو.com

  *luxmiiانو*